

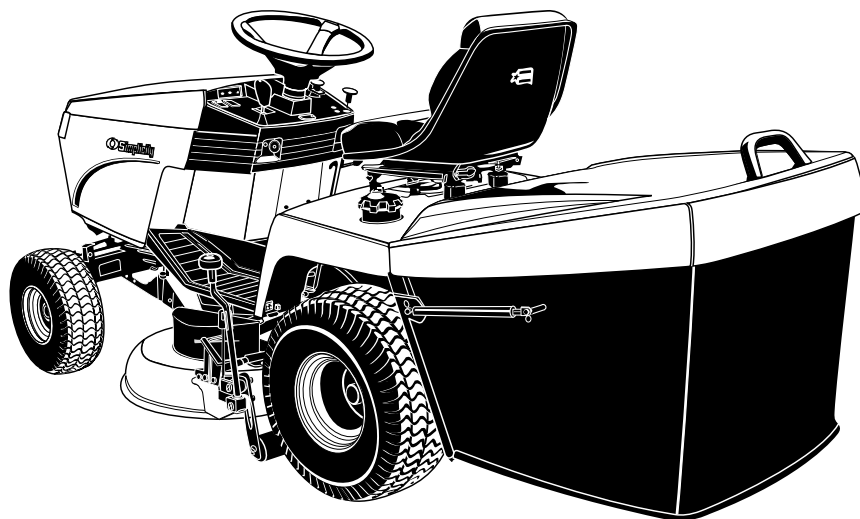


Parts Manual



MASSEY FERGUSON
LAWN & GARDEN EQUIPMENT

AGCO



BARON

SERIES LAWN TRACTORS & MOWER DECKS

18HP V-TWIN TRACTORS

| Mfg. No. | Description |
|----------|-----------------------|
| 1693583 | 18V HP Baron |
| 1693494 | 18V HP Baron (Export) |
| 1693686 | 18V HP Baron (Export) |

MOWER DECKS

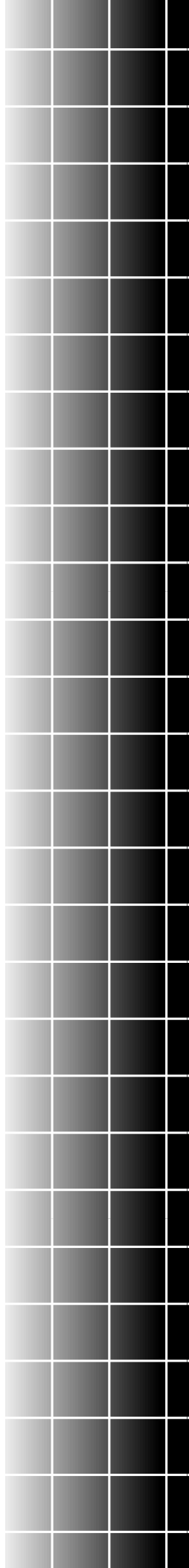
| Mfg. No. | Description |
|----------|----------------------------|
| 1693554 | 40" Mower Deck |
| 1693560 | 40" Mower Deck |
| 1693585 | 40" Mower Deck |
| 1693575 | 102 cm Mower Deck (Export) |

Simplicity

MANUFACTURING, INC.

500 N Spring Street / PO Box 997
Port Washington, WI 53074-0997 USA

© Copyright 1999 Simplicity Manufacturing, Inc.
All Rights Reserved. Printed In USA.



This Manual Covers The Following Products:

18HP LAWN TRACTORS

| | PAGES |
|------------------------------|------------------------|
| 1693583 Baron, 18HP | 2, 4, 8, 10, 14, |
| 1693494 Baron, 18HP (Export) | 16, 18, 20, 22, |
| 1693686 Baron, 18HP (Export) | 24, 26, 28, 30, 32. |

40" (102 cm) MOWER DECKS

| | PAGES |
|------------------------------------|-----------------|
| 1693554 40" Mower Deck | 34, 36, 38, 40, |
| 1693560 40" Mower Deck | 42, 44, 46. |
| 1693585 40" Mower Deck | |
| 1693575 102 cm Mower Deck (Export) | |

LAWN TRACTOR COMPONENTS

| | |
|------------------------------------|-----|
| Frame & Front Axle Group | .2 |
| Steering Group | .4 |
| Engine Group | .6 |
| Transmission Drive & Carrier Group | .8 |
| Transmission Service Parts - | |
| Tuff Torq K51 Transaxle | .10 |
| Foot Controls Group | .14 |
| Hand Controls Group | .16 |
| Hood, Grille & Dash Group | .18 |
| Seat, Seat Deck & Fuel Tank Group | .20 |
| Hopper Group | .22 |
| Electrical Group – Lower Harness | .24 |
| Electrical Group – Upper Harness | .26 |
| Wheels & Tires Group | .28 |
| Decals Group | .30 |
| Decals Group (Export) | .32 |

MOWER DECK COMPONENTS

| | |
|---|-----|
| 40" (102 cm) Mower Deck - Housing, Arbors & Blades (Serial No. 0001-1999) | .34 |
| 40" (102 cm) Mower Deck - Housing, Arbors & Blades (Serial No. 2000-2999) | .36 |
| 40" (102 cm) Mower Deck - Housing, Arbors & Blades (Serial No. 3000 and above) | .38 |
| 40" (102 cm) Mower Deck - Belt, Clutch & Support (Serial No. 0001-1999) | .40 |
| 40" (102 cm) Mower Deck - Belt, Clutch & Support (Serial No. 2000 and above) | .42 |
| 40" (102 cm) Mower Deck - Height Adjustment & Rollers - (Earlier Models) | .44 |
| 40" (102 cm) Mower Deck - Height Adjustment & Rollers - (Later Models) | .46 |

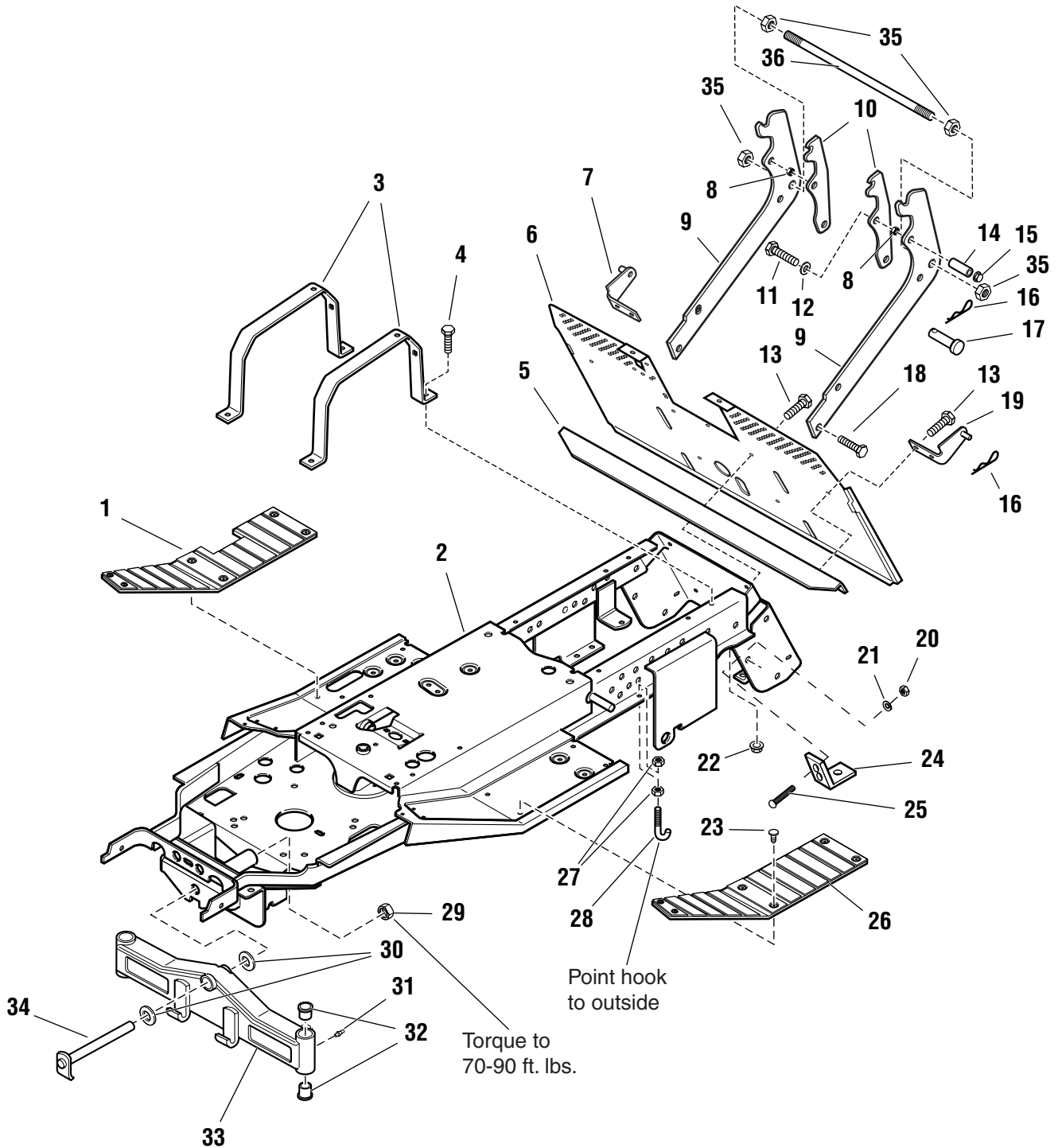
REFERENCE INFORMATION:

| | |
|----------------------------|--------------------|
| Part Number Index | .48 |
| Torque Specification Chart | .Inside Back Cover |

Frame & Front Axle Group

985544

NOTE: Unless noted otherwise,
use the standard hardware torque
specification chart.



The above parts group applies to the following Mfg. Nos.:

- 1693583 Baron, 18HP Tractor
- 1693494 Baron, 18HP Tractor (Export)
- 1693686 Baron, 18HP Tractor (Export)

Frame & Front Axle Group

| REF NO. | PART NO. | QTY. | DESCRIPTION |
|---------|----------|------|---|
| 1 | 1717936 | 1 | PAD, Footrest, R H |
| 2 | 1719355 | 1 | FRAME ASSEMBLY |
| 3 | 1720041 | 2 | STRAP, Fuel Tank |
| 4 | 1960373 | 4 | CAPSCREW, Hex Washer Head, Taptite, 5/16-18 x 1 |
| 5 | 1719966 | 1 | SUPPORT, Brace |
| 6 | 1722092 | 1 | BACKPLATE, Grass Bag |
| 7 | 1721171 | 1 | BRACKET & PIVOT ASSEMBLY, R H Cylinder |
| 8 | 1666697 | 2 | SPACER |
| 9 | 1721172 | 2 | SUPPORT, Hopper |
| 10 | 1719731 | 2 | LATCH, Support |
| 11 | 1960590 | 2 | CAPSCREW, Hex Head, 5/16-18 x 3 |
| 12 | 1919326 | 2 | WASHER, Flat, 5/16 |
| 13 | 1930601 | 9 | CAPSCREW, Hex Washer Head, Taptite, 5/16-18 x 3/4 |
| 14 | 1713447 | 2 | SPACER |
| 15 | 1927557 | 2 | NUT, Hex Flange Whizlock, 5/16-18 |
| 16 | 1960074 | 4 | CLIP, Hair Pin |
| 17 | 1708298 | 2 | PIN, Round Head Drilled, 3/8 X 1 |
| 18 | 1960043 | 4 | CAPSCREW, Hex Flange Whizlock, 7/16-14 x 1 |
| 19 | 1721169 | 1 | BRACKET & PIVOT ASSEMBLY, L H Cylinder |
| 20 | 1916950 | 2 | NUT, Hex, 3/8-16 |
| 21 | 1916965 | 2 | LOCKWASHER, Spring, 3/8 |
| 22 | 1935041 | 4 | NUT, Hex Flange Whizlock, 7/16-14 |
| 23 | 1704351 | 13 | FASTENER, Panel |
| 24 | 1719972 | 1 | DRAWBAR |
| 25 | 1931350 | 2 | CARRIAGE BOLT, 3/8-16 x 1 |
| 26 | 1704311 | 1 | PAD, Footrest, L H |
| 27 | 1931277 | 2 | NUT, Hex Flange 5/16-18 |
| 28 | 1679385 | 1 | HOOK-J |
| 29 | 1960270 | 1 | NUT, Hex Full Lock, 3/4-16 |
| 30 | 960530 | 2 | WASHER, Special, 7/8 x 1-3/4 x 1/16 |
| 31 | 1704314 | 2 | FITTING, Grease |
| 32 | 176440 | 4 | BUSHING, Nylon |
| 33 | 1703475 | 1 | AXLE ASSEMBLY, Front |
| 34 | 1718856 | 1 | SHAFT & LOCK ASSEMBLY, Axle Pivot |
| 35 | 1916951 | 4 | NUT, Hex 1/2-13 |
| 36 | 1721174 | 1 | ROD, Support |

Footnotes:

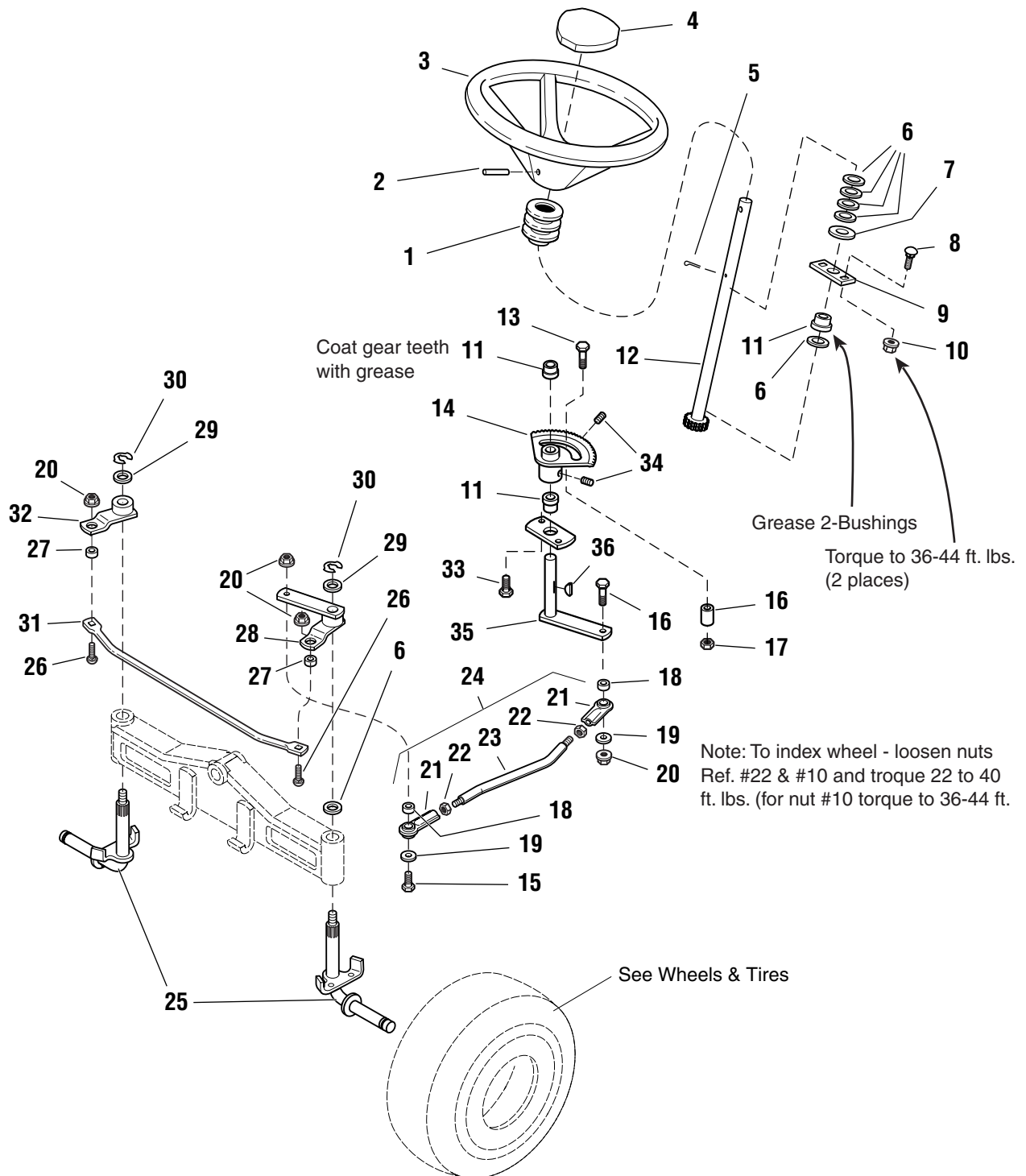
The above parts group applies to the following Mfg. Nos.:

1693583 Baron, 18HP Tractor
1693494 Baron, 18HP Tractor (Export)
1693686 Baron, 18HP Tractor (Export)

Steering Group

985647

NOTE: Unless noted otherwise,
use the standard hardware torque
specification chart.



The above parts group applies to the following Mfg. Nos.:

- 1693583 Baron, 18HP Tractor
- 1693494 Baron, 18HP Tractor (Export)
- 1693686 Baron, 18HP Tractor (Export)

Steering Group

| REF NO. | PART NO. | QTY. | DESCRIPTION |
|---------|----------|------|--|
| 1 | 1714400 | 1 | TUBE, Flexible Black Rubber |
| 2 | 1960540 | 1 | PIN, Spring, 5/16 x 2-1/2 |
| 3 | 1719471 | 1 | WHEEL, Steering |
| 4 | 1719810 | 1 | CAP, Steering Wheel |
| 5 | 1919314 | 1 | PIN, Cotter, 3/16 x 1-1/4 |
| 6 | 1960114 | 7 | WASHER, 3/4 |
| 7 | 1960529 | 1 | WASHER, Plain, 1 x 1-1/2 x .07 |
| 8 | 1931350 | 2 | CARRIAGE BOLT, 3/8-16 x 1 |
| 9 | 1703508 | 1 | PLATE, Mounting, Steering |
| 10 | 1928352 | 2 | NUT, Hex Flange Whizlock, 3/8-16 |
| 11 | 176440 | 3 | BUSHING, Nylon |
| 12 | 1720122 | 1 | SHAFT & GEAR ASSEMBLY, Steering |
| 13 | 1921221 | 1 | CAPSCREW, Hex Head, 5/16-18 x 1-1/2 |
| 14 | 1703513 | 1 | GEAR & HUB ASSEMBLY, Steering |
| 15 | 1921968 | 2 | CAPSCREW, Hex Head, 3/8-16 x 1-3/8 |
| 16 | 1673796 | 1 | SPACER |
| 17 | 1919438 | 1 | NUT, Hex Lock ESNA Light, 5/16-18 |
| 18 | 1708236 | 2 | SPACER |
| 19 | 1922755 | 2 | WASHER, 3/8 |
| 20 | 1930645 | 4 | NUT, Hex Flange Two-Way Lock, 3/8-16 |
| 21 | 1702779 | 2 | JOINT, Ball |
| 22 | 1919262 | 2 | NUT, Hex Jam 1/2-20 |
| 23 | 1708084 | 1 | DRAG LINK |
| 24 | 1685478 | 1 | DRAG LINK ASSEMBLY, (Includes Ref. Nos. 21, 22 & 23) |
| 25 | 1715308 | 2 | SPINDLE ASSEMBLY |
| 26 | 1921968 | 2 | CAPSCREW, 3/8-16x x1-3/8 |
| 27 | 1611705 | 2 | SPACER |
| 28 | 1706997 | 1 | STEERING ARM ASSEMBLY, L H |
| 29 | 1960020 | 2 | WASHER |
| 30 | 1704420 | 2 | KLIPRING, 5/8 |
| 31 | 1706956 | 1 | TIE ROD |
| 32 | 1706996 | 1 | STEERING ARM ASSEMBLY, R H |
| 33 | 1960373 | 2 | CAPSCREW, Hex Head, Taptite, 5/16-18 x 1 |
| 34 | 1928721 | 2 | SET SCREW, Square Head, 5/16- 18 x 1/2 |
| 35 | 1928721 | 1 | PITMAN ARM ASSEMBLY |
| 36 | 930670 | 1 | KEY, Hi-Pro |

Footnotes:

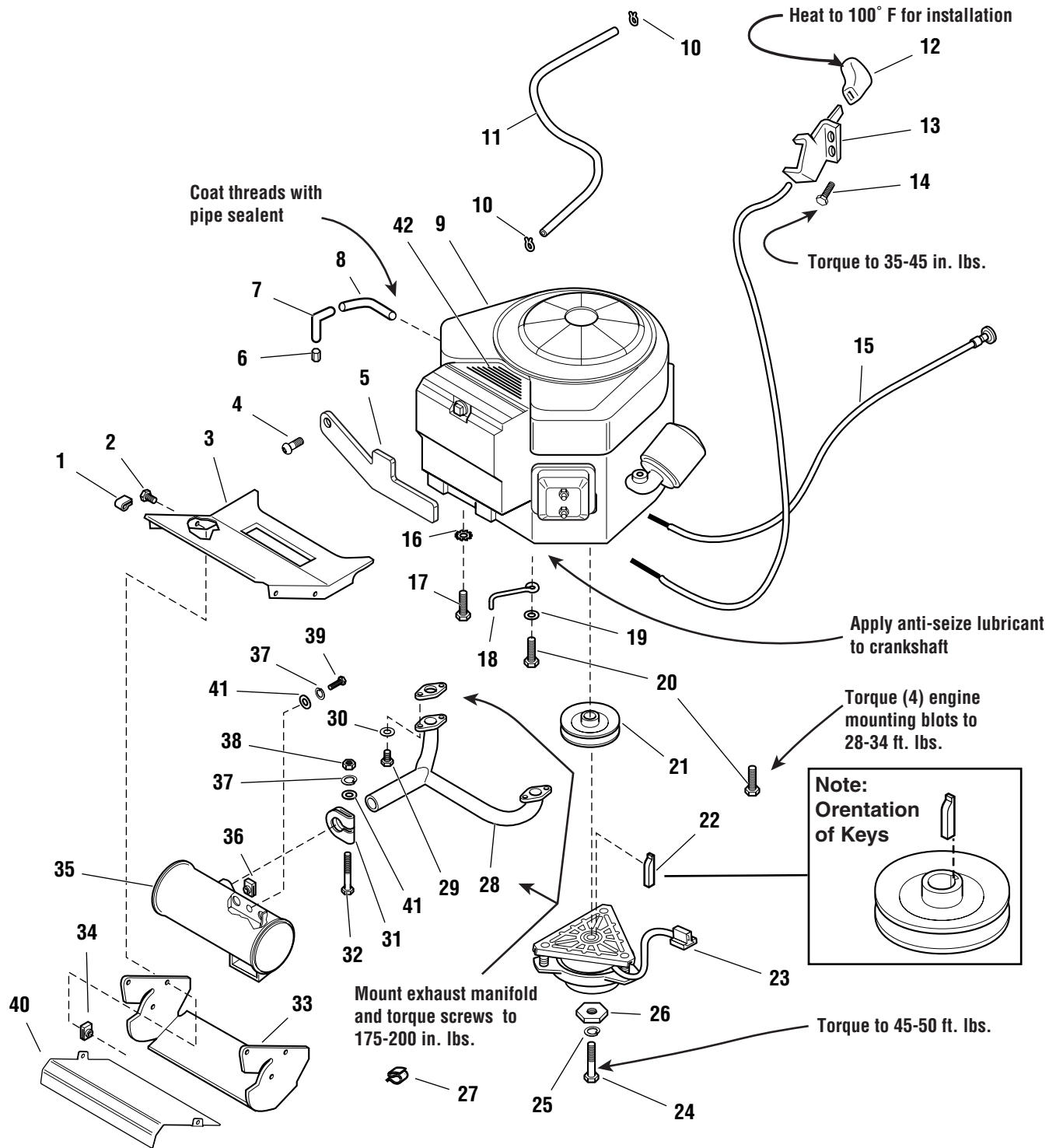
The above parts group applies to the following Mfg. Nos.:

1693583 Baron, 18HP Tractor
1693494 Baron, 18HP Tractor (Export)
1693686 Baron, 18HP Tractor (Export)

Engine Group

985543A_985707

NOTE: Unless noted otherwise, use the standard hardware torque specification chart.



The above parts group applies to the following Mfg. Nos.:

- 1693583 Baron, 18HP Tractor
- 1693494 Baron, 18HP Tractor (Export)
- 1693686 Baron, 18HP Tractor (Export)

Engine Group

| REF NO. | PART NO. | QTY. | DESCRIPTION |
|---------|----------|------|--|
| 1 | 934683 | 1 | CLIP, Speed Wire |
| 2 | 1960295 | 4 | CAPSCREW, Hex Flange Whizlock, 1/4-20 x 5/8 |
| 3 | 1707334 | 1 | DUCT, Muffler, Top |
| 4 | 1960624 | 1 | CAPSCREW, Pan Head, Torx, #10-32 x 1/2 (Early Models) |
| 5 | 1720507 | 1 | BRACKET, Flat (Early Models) |
| 6 | 1667346 | 1 | CAP, Hex, 3/8-18NPT |
| 7 | 1673453 | 1 | FITTING, Pipe Elbow Street |
| 8 | 1720017 | 1 | PIPE, Oil Drain |
| 9 | * | 1 | ENGINE, 18.0HP B&S INTEK |
| 10 | 960112 | 2 | CLAMP, Hose, 1/2 Diameter Type E |
| 11 | 1718678 | 1 | HOSE, Fuel |
| 12 | 1713846 | 1 | KNOB, Soft |
| 13 | 1714068 | 1 | CONTROL, Throttle 3/16 Cable 35-3/4 Long, No Knob |
| 13 | 1721446 | 1 | CONTROL, Throttle 3/16 Cable 35-3/4 Long, No Knob (Export) |
| 14 | 1960536 | 2 | CAPSCREW, Hex Washer Head, 1/4 x 1/2 |
| 15 | 1708764 | 1 | CONTROL, Choke 3/16 Cable 39-1/2 Long w/Knob |
| 16 | 920427 | 1 | LOCKWASHER, External Tooth, 3/8 |
| 17 | 930598 | 1 | CAPSCREW, Hex Washer Head, Taptite, 3/8-16 x 1-1/2 |
| 18 | 1704419 | 1 | STOP, Belt |
| 19 | 1924940 | 1 | WASHER, 3/8 |
| 20 | 1930598 | 3 | CAPSCREW, Hex Washer Head, Taptite, 3/8-16 x 1-1/2 |
| 21 | 1713187 | 1 | PULLEY & HUB ASSEMBLY |
| 22 | 105337 | 1 | KEY, HI PRO, 1/4 x 2.000 |
| 23 | 1720532 | 1 | CLUTCH, Electric |
| 24 | 1960370 | 1 | CAPSCREW, Hex Head, 7/16-20 x 2-1/2 |
| 25 | 1918199 | 1 | LOCKWASHER, Spring, 7/16 |
| 26 | 1708264 | 1 | WASHER, Hex |
| 27 | 172434 | 1 | CLIP, Speed Wire |
| 28 | 1720110 | 1 | MANIFOLD, Exhaust |
| 29 | 1936228 | 4 | CAPSCREW, Hex Head, 5/16-18 x 3/4 G8 |
| 30 | 1919326 | 2 | WASHER, 5/16 |
| 31 | 1676183 | 1 | CLAMP, Exhaust |
| 32 | 1931342 | 1 | CARRIAGE BOLT, 5/16-18 x 2-3/4 |
| 33 | 1704357 | 1 | DUCT, Muffler, Bottom |
| 34 | 1960368 | 4 | NUT, Speed, 1/4-20 Lug |
| 35 | 1720109 | 1 | MUFFLER |
| 36 | 1935255 | 1 | NUT, Speed, 5/16-18 LUG |
| 37 | 1917356 | 6 | LOCKWASHER, Spring, 5/16 |
| 38 | 1917372 | 1 | NUT, Hex, 5/16-18 |
| 39 | 1921333 | 1 | CAPSCREW, Hex Head, 5/16-18 x 1.000 |
| 40 | 1721202 | 1 | BAFFLE, Muffler |
| 41 | 1919326 | 2 | WASHER, 5/16 |
| 42 | 1721987 | 1 | DECAL, 18HP Brigga & Stratton INTEK |

Footnotes:

* Contact your Briggs & Stratton distributor for repair parts.

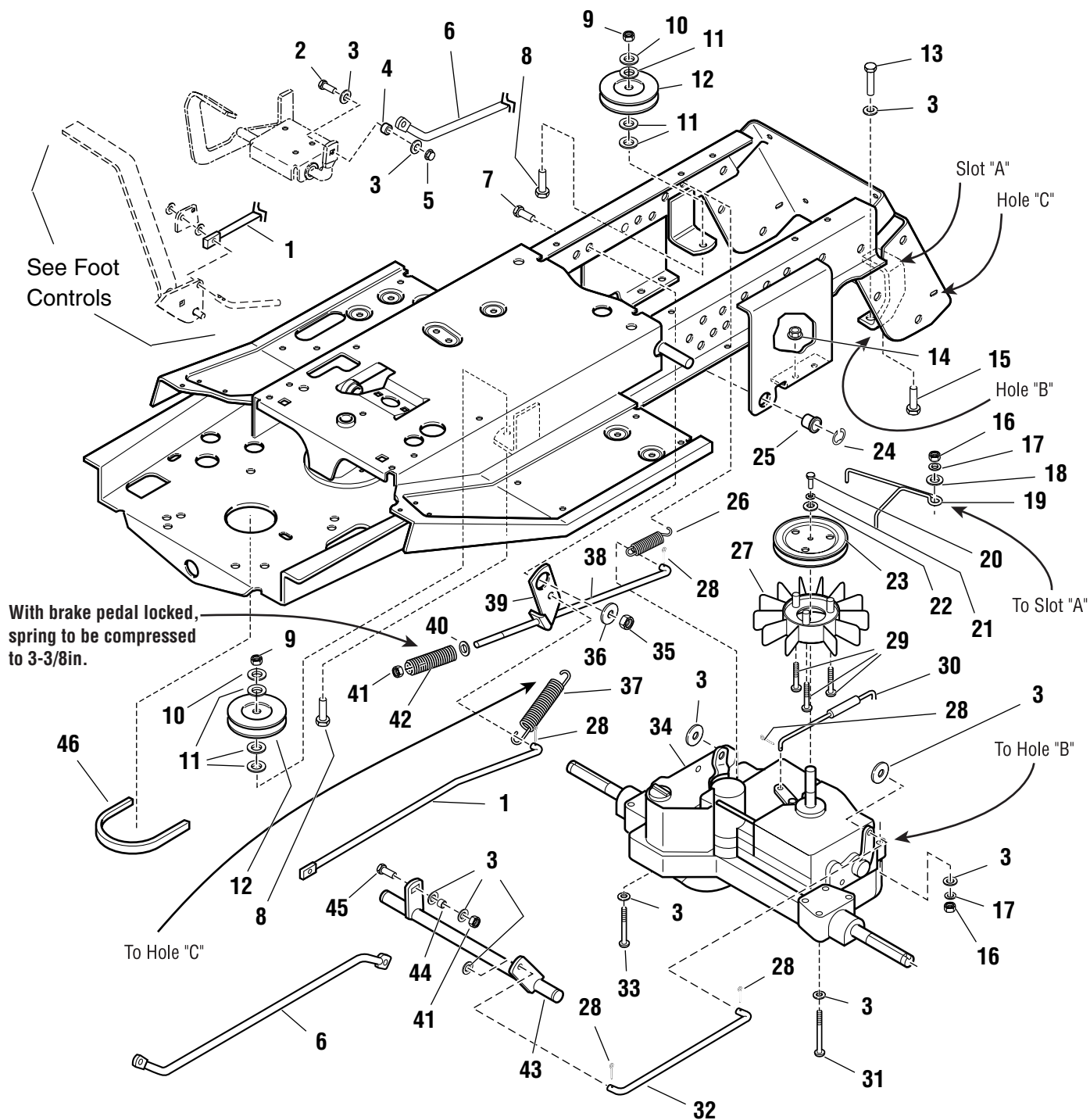
The above parts group applies to the following Mfg. Nos.:

1693583 Baron, 18HP Tractor
1693494 Baron, 18HP Tractor (Export)
1693686 Baron, 18HP Tractor (Export)

Transmission Drive & Carrier Group - Tuff Torq Model K51

985545

NOTE: Unless noted otherwise, use the standard hardware torque specification chart.



The above parts group applies to the following Mfg. Nos.:

- 1693583 Baron, 18HP Tractor
- 1693494 Baron, 18HP Tractor (Export)
- 1693686 Baron, 18HP Tractor (Export)

Transmission Drive & Carrier Group - Tuff Torq Model K51

| REF NO. | PART NO. | QTY. | DESCRIPTION |
|---------|----------|------|---|
| 1 | 1720019 | 1 | ROD, Front Brake |
| 2 | 1923325 | 1 | CAPSCREW, Hex Head, 5/16-18 x 7/8 |
| 3 | 1919326 | 12 | WASHER |
| 4 | 1703900 | 1 | SPACER |
| 5 | 1935048 | 1 | NUT, Hex Flange Two-Way Lock, 5/16-18 |
| 6 | 1719268 | 1 | ROD, Pedal |
| 7 | 1921210 | 1 | CAPSCREW, Hex Head, 3/8-16 x 1 |
| 8 | 1931352 | 2 | CARRIAGE BOLT, 3/8-16 x 1-1/2 |
| 9 | 1916950 | 2 | NUT, Hex, 3/8-16 |
| 10 | 1916965 | 2 | LOCKWASHER, 3/8 |
| 11 | 1924940 | 6 | WASHER, 3/8 |
| 12 | 174561 | 2 | PULLEY |
| 13 | 1922127 | 1 | CAPSCREW, Hex Head, 5/16-18 x 1-3/4 |
| 14 | 1935048 | 4 | NUT, Hex Flange Two-Way Lock, 5/16-18 |
| 15 | 1960223 | 1 | CARRIAGE BOLT, 5/16-18 x 1-1/4 |
| 16 | 1917372 | 2 | NUT, Hex, 5/16-18 |
| 17 | 1917356 | 2 | LOCKWASHER, 5/16 |
| 18 | 1919381 | 1 | WASHER |
| 19 | 1719993 | 1 | GUIDE, Belt |
| 20 | 1960613 | 1 | CAPSCREW, Hex Head, M06-1.00 x 20MM 8.8 |
| 21 | 1916964 | 1 | LOCKWASHER, 1/4 |
| 22 | 1960353 | 1 | WASHER, 1/4 |
| 23 | 1719902 | 1 | PULLEY & HUB ASSEMBLY |
| 24 | 927794 | 2 | RING-E |
| 25 | 176440 | 2 | BUSHING, Nylon |
| 26 | 106681 | 1 | SPRING, Extension |
| 27 | 1717425 | 1 | FAN |
| 28 | 1918447 | 5 | PIN, Cotter, 3/32 x 3/4 |
| 29 | 1930810 | 3 | CAPSCREW, Hex Washer Head Taptite, 1/4-20 x 1-1/2 |
| 30 | 1719312 | 1 | ROD, Dump Valve |
| 31 | 1960590 | 2 | CAPSCREW, Hex Head, 5/16-18 x 3 |
| 32 | 1719269 | 1 | ROD, Transmission |
| 33 | 1921719 | 2 | CAPSCREW, Hex Head, 5/16-18 x 2-1/2 |
| 34 | 1720108 | 1 | TRANSMISSION ASSEMBLY, Tuff Torq K51 |
| 35 | 1922694 | 1 | NUT, Hex Lock ESNA Heavy, 3/8-16 |
| 36 | 1714255 | 1 | SPACER |
| 37 | 1706553 | 1 | SPRING, Extension |
| 38 | 1720018 | 1 | ROD, Rear Brake |
| 39 | 1720022 | 1 | ARM, Brake Pivot |
| 40 | 1924874 | 1 | WASHER |
| 41 | 1919438 | 2 | NUT, Hex Lock ESNA Light, 5/16-18 |
| 42 | 1663136 | 1 | SPRING, Compression |
| 43 | 1719253 | 1 | SHAFT & ARMS ASSEMBLY |
| 44 | 1666697 | 1 | SPACER |
| 45 | 1931335 | 1 | CARRIAGE BOLT, 5/16-18X1 |
| 46 | 1720036 | 1 | V-BELT |

Footnotes:

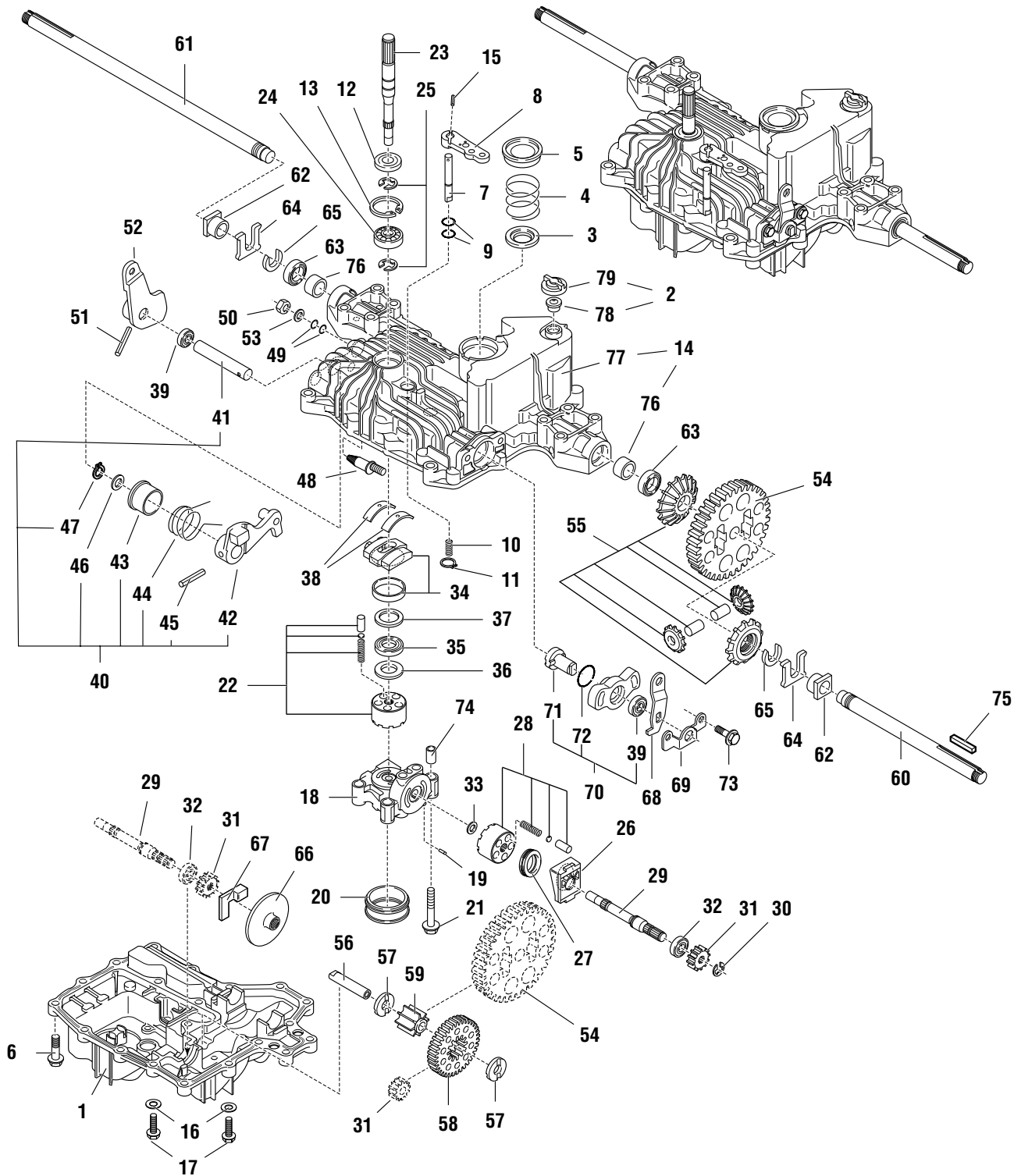
The above parts group applies to the following Mfg. Nos.:

1693583 Baron, 18HP Tractor
1693494 Baron, 18HP Tractor (Export)
1693686 Baron, 18HP Tractor (Export)

Transmission Service Parts - Tuff Torq K51 Transaxle

1720108

NOTE: Unless noted otherwise,
use the standard hardware torque
specification chart.



The above parts group applies to the following Mfg. Nos.:

- 1693583 Baron, 18HP Tractor
- 1693494 Baron, 18HP Tractor (Export)
- 1693686 Baron, 18HP Tractor (Export)

Transmission Service Parts - Tuff Torq K51 Transaxle

| REF NO. | PART NO. | QTY. | DESCRIPTION |
|---------|----------|------|---|
| 1 | 1721176 | 1 | HOUSING, LOWER TUFF TORQ |
| 2 | 1718052 | 1 | VENT VALVE, 15 (includes Ref. Nos. 78 & 79) |
| 3 | 1718053 | 1 | FILTER, DISC |
| 4 | 1718054 | 1 | SPRING, FILTER |
| 5 | 1718055 | 1 | SEALING CAP, 50 |
| 6 | 1707789 | 20 | SCREW, TAPPING |
| 7 | 1720417 | 1 | SHAFT, BYPASS |
| 8 | 1720418 | 1 | LEVER, BYPASS |
| 9 | 1708691 | 2 | PACKING |
| 10 | 1720419 | 1 | SPRING, 8 |
| 11 | 1718061 | 1 | RING |
| 12 | 1708651 | 1 | SEAL |
| 13 | 1708650 | 1 | RING, 35 |
| 14 | 1720420 | 1 | HOUSING, UPPER ASSEMBLY, Complete (Includes Ref. Nos. 76 & 77) |
| 15 | 1707839 | 1 | PIN, ROLL |
| 16 | 1708649 | 2 | WASHER, SEAL 8 |
| 17 | 1708653 | 2 | BOLT |
| 18 | 1721177 | 1 | CASE, CENTER A |
| 19 | 1718070 | 1 | PIN, 3 x 9.8 |
| 20 | 1718071 | 1 | FILTER, 40U |
| 21 | 1708667 | 3 | BOLT, 10 60 |
| 22 | 1718073 | 1 | CYLINDER BLOCK |
| 23 | 1720424 | 1 | PUMP SHAFT, TAPERED |
| 24 | 1708673 | 1 | BEARING |
| 25 | 1718076 | 2 | RING, E15 |
| 26 | 1718077 | 1 | HOUSING |
| 27 | 1718078 | 1 | BEARING, 51106 |
| 28 | 1718079 | 1 | CYLINDER BLOCK |
| 29 | 1718080 | 1 | SHAFT, MOTOR |
| 30 | 1718081 | 1 | E-RING |
| 31 | 1720425 | 1 | MOTOR GEAR |
| 32 | 1718083 | 1 | BEARING, 6202UC3 |
| 33 | 1718084 | 1 | WASHER, 12 x 24 x 1 |
| 34 | 1720426 | 1 | SWASH PLATE ASSEMBLY |
| 35 | 1718086 | 1 | BEARING, K81105 |
| 36 | 1718087 | 1 | THRUST PLATE, A |
| 37 | 1718088 | 1 | THRUST PLATE, B |
| 38 | 1718089 | 2 | THRUST METAL |
| 39 | 1718120 | 2 | SEAL, TC162606 |
| 40 | 1721178 | 1 | SHAFT ASSEMBLY, CONTROL (Includes ref. Nos. 41, 42, 43, 44, 45, 46 & 47) |
| 41 | 1721179 | 1 | SHAFT, CONTROL |
| 42 | 1721965 | 1 | CONTROL ARM, B |
| 43 | 1721181 | 1 | COLLAR, CONTROL |
| 44 | 1721182 | 1 | SPRING, TORSION |
| 45 | 1718097 | 1 | PIN, 6.0A x 25 |
| 46 | 1721966 | 1 | WASHER, 17 x 30 x 1 |
| 47 | 1707912 | 1 | RING |
| 48 | 1721184 | 1 | FULCRUM ECCENTRICITY |

Footnotes:

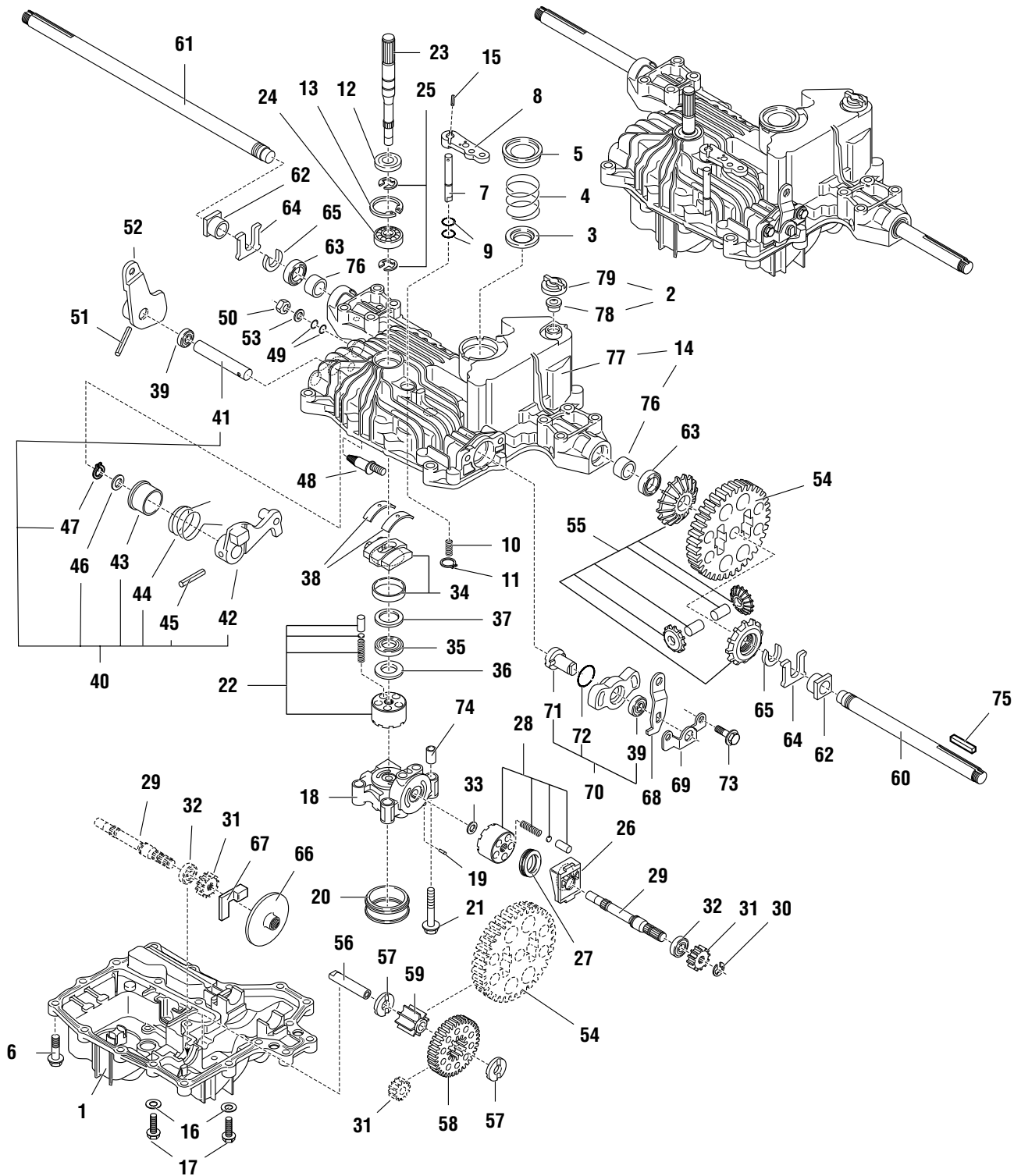
The above parts group applies to the following Mfg. Nos.:

1693583 Baron, 18HP Tractor
 1693494 Baron, 18HP Tractor (Export)
 1693686 Baron, 18HP Tractor (Export)

Transmission Service Parts - Tuff Torq K51 Transaxle

1720108

NOTE: Unless noted otherwise, use the standard hardware torque specification chart.



The above parts group applies to the following Mfg. Nos.:

- 1693583 Baron, 18HP Tractor
- 1693494 Baron, 18HP Tractor (Export)
- 1693686 Baron, 18HP Tractor (Export)

Transmission Service Parts - Tuff Torq K51 Transaxle

| REF NO. | PART NO. | QTY. | DESCRIPTION |
|---------|----------|------|---|
| 49 | 1707879 | 2 | PACKING |
| 50 | 1708692 | 1 | NUT, 12 |
| 51 | 1718100 | 1 | PIN, 6.0A x 4.0 |
| 52 | 1718101 | 1 | LEVER, CONTROL |
| 53 | 1708689 | 1 | WASHER |
| 54 | 1718102 | 1 | GEAR, FINAL |
| 55 | 1718103 | 1 | GEAR KIT, Differential |
| 56 | 1718104 | 1 | SHAFT, REDUCTION |
| 57 | 1720439 | 2 | WASHER, 12 x 32 x 3.2 |
| 58 | 1720440 | 1 | GEAR, REDUCITON |
| 59 | 1718107 | 1 | PINION, FINAL |
| 60 | 1720441 | 1 | AXLE SHAFT, L H |
| 61 | 1718109 | 1 | AXLE SHAFT, R H |
| 62 | 1718110 | 2 | BUSHING, 19 x 21 |
| 63 | 1718111 | 2 | SEAL, 19 x 32 x 8 |
| 64 | 1718112 | 2 | WASHER, THRUST |
| 65 | 1718113 | 2 | RING, 17 |
| 66 | 1718114 | 1 | DISC BRAKE |
| 67 | 1718115 | 1 | SHOE, BRAKE |
| 68 | 1721185 | 1 | ARM, BRAKE |
| 69 | 1718119 | 1 | PLATE, BRAKE |
| 70 | 1720442 | 1 | KIT, BRAKE CAM (Includes ref. Nos. 39, 71 & 72) |
| 71 | 1718117 | 1 | SHAFT, BRAKE |
| 72 | 1718121 | 1 | PACKING, P29 |
| 73 | 1718122 | 2 | BOLT, 8 x 30 |
| 74 | 1718069 | 2 | KNOCK PIN, 12 x 22 |
| 75 | 1717749 | 2 | KEY, Parrallel Pin, 3/16 x 3/16 x 2 |
| 76 | * | 2 | BUSHING, 19.02 |
| 77 | * | 1 | UPPER HOUSING |
| 78 | * | 1 | BODY, Vent Valve |
| 79 | * | 1 | CAP, Vent Valve |

Footnotes:

* Not a serviceable part.

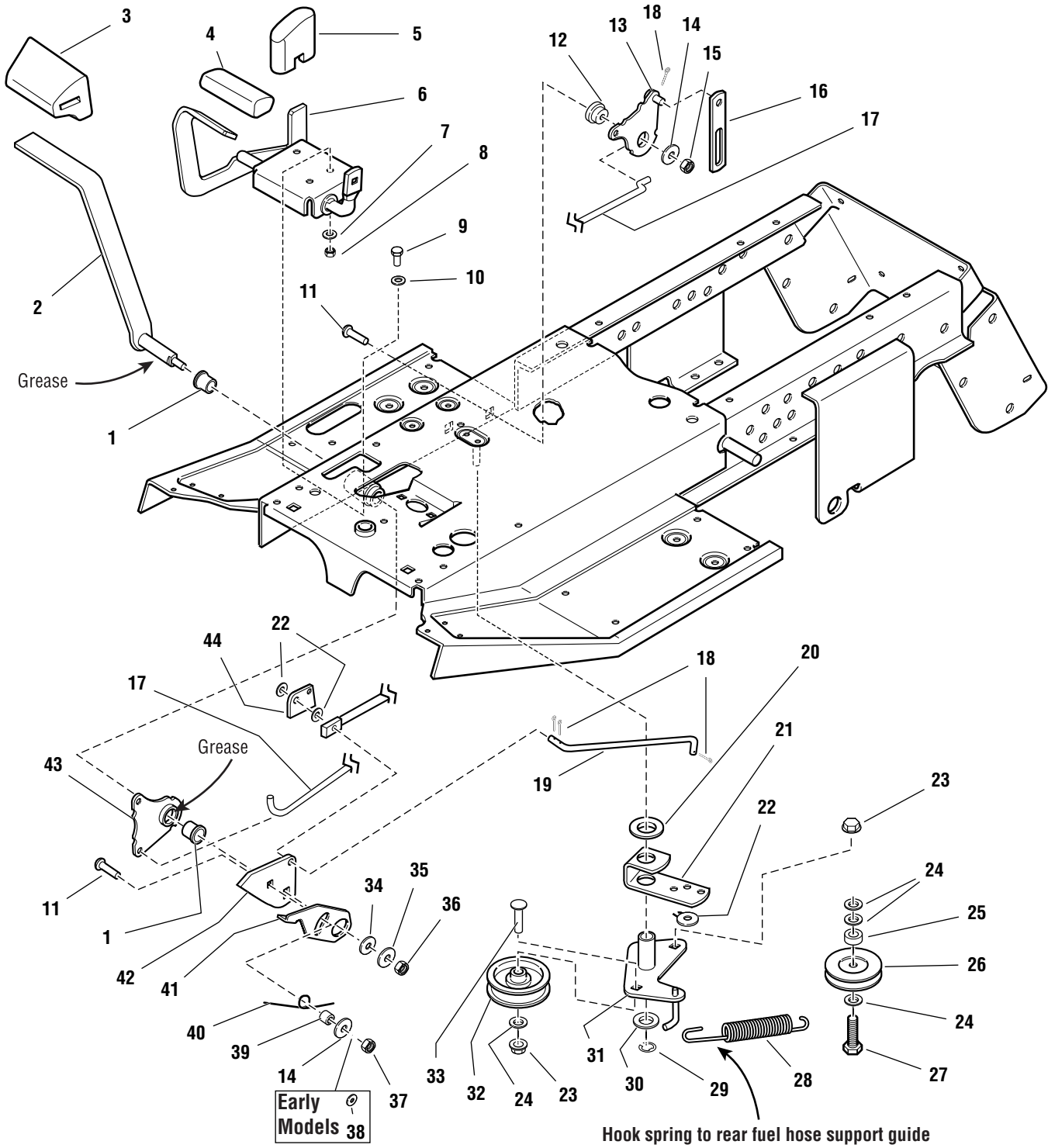
The above parts group applies to the following Mfg. Nos.:

1693583 Baron, 18HP Tractor
1693494 Baron, 18HP Tractor (Export)
1693686 Baron, 18HP Tractor (Export)

Foot Controls Group

985547Foot

NOTE: Unless noted otherwise, use the standard hardware torque specification chart.



The above parts group applies to the following Mfg. Nos.:

- 1693583 Baron, 18HP Tractor
- 1693494 Baron, 18HP Tractor (Export)
- 1693686 Baron, 18HP Tractor (Export)

Foot Controls Group

| REF NO. | PART NO. | QTY. | DESCRIPTION |
|---------|----------|------|-----------------------------------|
| 1 | 1663114 | 2 | BUSHING, Nylon |
| 2 | 1717765 | 1 | PEDAL & SHAFT ASSEMBLY, Brake |
| 3 | 1718944 | 1 | PAD, Foot Pedal, Black Rubber |
| 4 | 1715834 | 1 | PEDAL, Foot Forward, Black Rubber |
| 5 | 1715835 | 1 | PEDAL, Foot Reverse, Black Rubber |
| 6 | 1720007 | 1 | PEDAL ASSEMBLY, Foot |
| 7 | 1916965 | 2 | LOCKWASHER, 3/8 |
| 8 | 1916950 | 2 | NUT, Hex, 3/8-16 |
| 9 | 1960136 | 2 | CAPSCREW, Hex Head, 3/8-16 x 1 |
| 10 | 920427 | 2 | LOCKWASHER, External Tooth, 3/8 |
| 11 | 1931337 | 3 | CARRIAGE BOLT, 5/16-18 x 1-1/4 |
| 12 | 1704629 | 1 | SPACER |
| 13 | 1720233 | 1 | CAM & WELD PIN ASSEMBLY, Lift |
| 14 | 1960044 | 2 | WASHER, 5/16 |
| 15 | 1919438 | 1 | NUT, Hex Lock ESNA Light, 5/16-18 |
| 16 | 1704756 | 1 | LINK, LIFT, Upper |
| 17 | 1718014 | 1 | LINK, Lift |
| 18 | 1918447 | 4 | PIN, Cotter, 3/32 X 3/4 |
| 19 | 1720224 | 1 | ROD, Clutch 2 Bends |
| 20 | 1960070 | 1 | WASHER, 1 |
| 21 | 1719271 | 1 | LEVER, Clutch Painted |
| 22 | 1919326 | 4 | WASHER, 5/16 |
| 23 | 1928352 | 2 | NUT, Hex Flange Whizlock, 3/8-16 |
| 24 | 1924940 | 4 | WASHER, 3/8 |
| 25 | 1667811 | 1 | SPACER |
| 26 | 174561 | 1 | PULLEY |
| 27 | 1921971 | 1 | CAPSCREW, 3/8-16 x 1-3/4 |
| 28 | 1718016 | 1 | SPRING, Extension |
| 29 | 1704420 | 1 | RING, Extension Klipping |
| 30 | 1960020 | 1 | WASHER, 5/8 |
| 31 | 1717769 | 1 | PIVOT ASSEMBLY, Idler |
| 32 | 1721133 | 1 | PULLEY, Idler |
| 33 | 1931353 | 1 | CARRIAGE BOLT, 3/8-16 x 1-3/4 |
| 34 | 1922755 | 1 | WASHER, 3/8 |
| 35 | 1922611 | 1 | WASHER, 3/8 |
| 36 | 1960339 | 1 | NUT, Hex Lock ESNA Light, 3/8-16 |
| 37 | 1923362 | 1 | NUT, Hex Center Lock, 5/16-18 |
| 38 | 1917356 | 1 | LOCKWASHER, 5/16 (Early Models) |
| 39 | 1720882 | 1 | SPACER |
| 40 | 1720724 | 1 | SPRING, Torsion |
| 41 | 1709950 | 1 | ACTUATOR, Switch |
| 42 | 1717767 | 1 | ARM, Foot Pedal |
| 43 | 1717186 | 1 | CAM, Lift Painted |
| 44 | 1720223 | 1 | CAM, Parking Brake |

Footnotes:

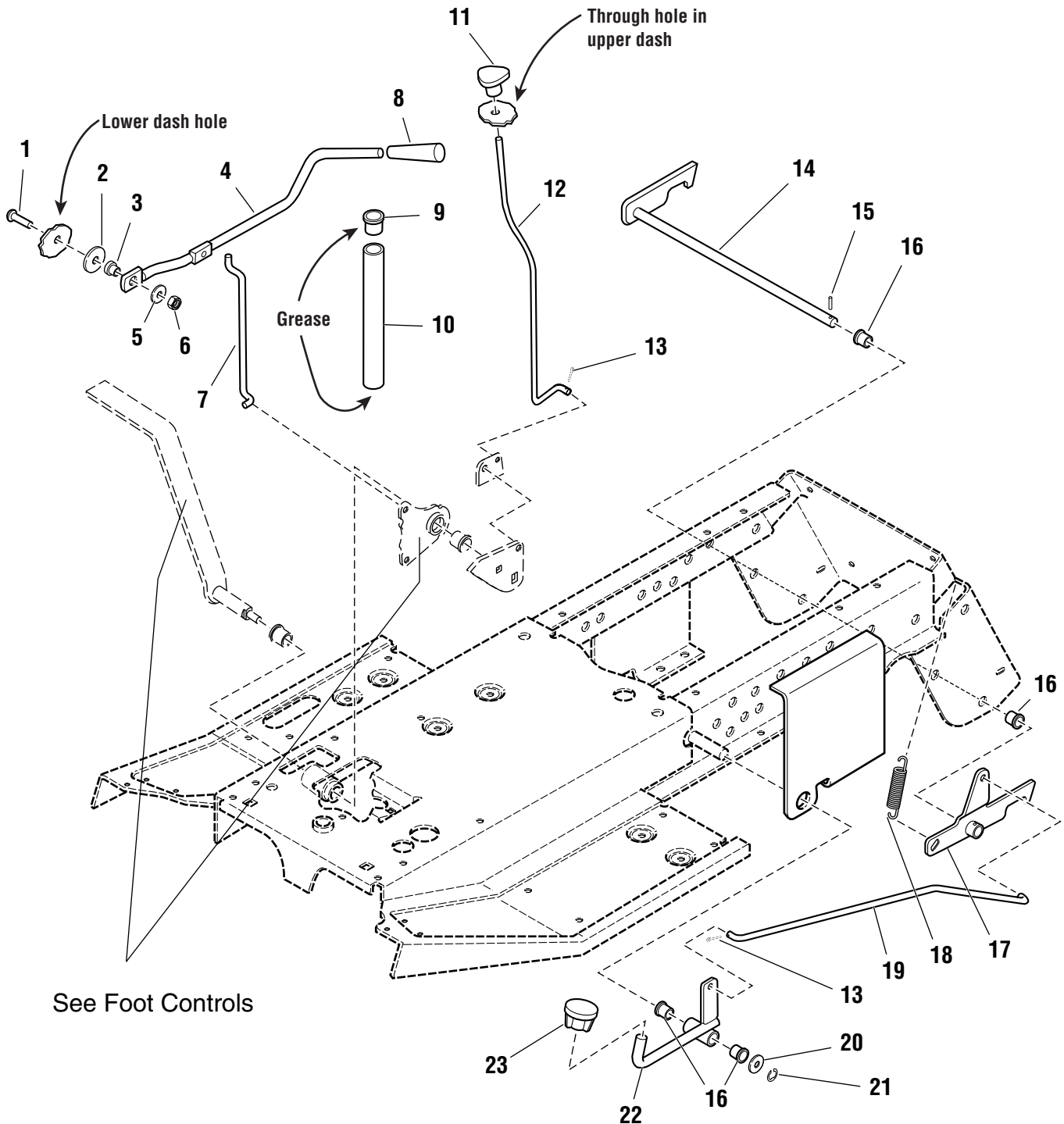
The above parts group applies to the following Mfg. Nos.:

1693583 Baron, 18HP Tractor
1693494 Baron, 18HP Tractor (Export)
1693686 Baron, 18HP Tractor (Export)

Hand Controls Group

985547Hand

NOTE: Unless noted otherwise, use the standard hardware torque specification chart.



The above parts group applies to the following Mfg. Nos.:

- 1693583 Baron, 18HP Tractor
- 1693494 Baron, 18HP Tractor (Export)
- 1693686 Baron, 18HP Tractor (Export)

Hand Controls Group

| REF NO. | PART NO. | QTY. | DESCRIPTION |
|---------|----------|------|-------------------------------------|
| 1 | 1960223 | 1 | CARRIAGE BOLT, 5/16-18 x 1-1/4 |
| 2 | 1924356 | 1 | WASHER, 3/8 |
| 3 | 1705590 | 1 | SPACER |
| 4 | 1717989 | 1 | ROD, E-Coat Lift Handle, 13.23 Long |
| 5 | 1919381 | 1 | WASHER, 5/16 |
| 6 | 1919438 | 1 | NUT, Hex Lock ESNA Light, 5/16-18 |
| 7 | 1704623 | 1 | ROD, Link Lift Upper |
| 8 | 1718219 | 1 | KNOB, Lift Rod, Black |
| 9 | 176440 | 1 | BUSHING, Nylon |
| 10 | 1704425 | 1 | TUBE, Shift, 8.60 Long |
| 11 | 1713855 | 1 | KNOB, 3 Sided Soft |
| 12 | 1720232 | 1 | ROD, 15.3 Long Parking Brake |
| 13 | 1923360 | 2 | PIN, Cotter, 1/16 x 3/4 |
| 14 | 1719989 | 1 | ROD & LATCH ASSEMBLY, R H |
| 15 | 916168 | 1 | PIN, Spring, 1/8 x 3/4 |
| 16 | 1715025 | 4 | BUSHING |
| 17 | 1719988 | 1 | LATCH & SPACER ASSEMBLY, L H |
| 18 | 174896 | 1 | SPRING, Extension |
| 19 | 1719990 | 1 | ROD, 22.31 Long Latch, Yellow |
| 20 | 1960027 | 1 | WASHER, Flat |
| 21 | 158399 | 1 | RING-E, Return Extension |
| 22 | 1719981 | 1 | LEVER & ROD ASSEMBLY, Hopper Open |
| 23 | 1719940 | 1 | KNOB |

Footnotes:

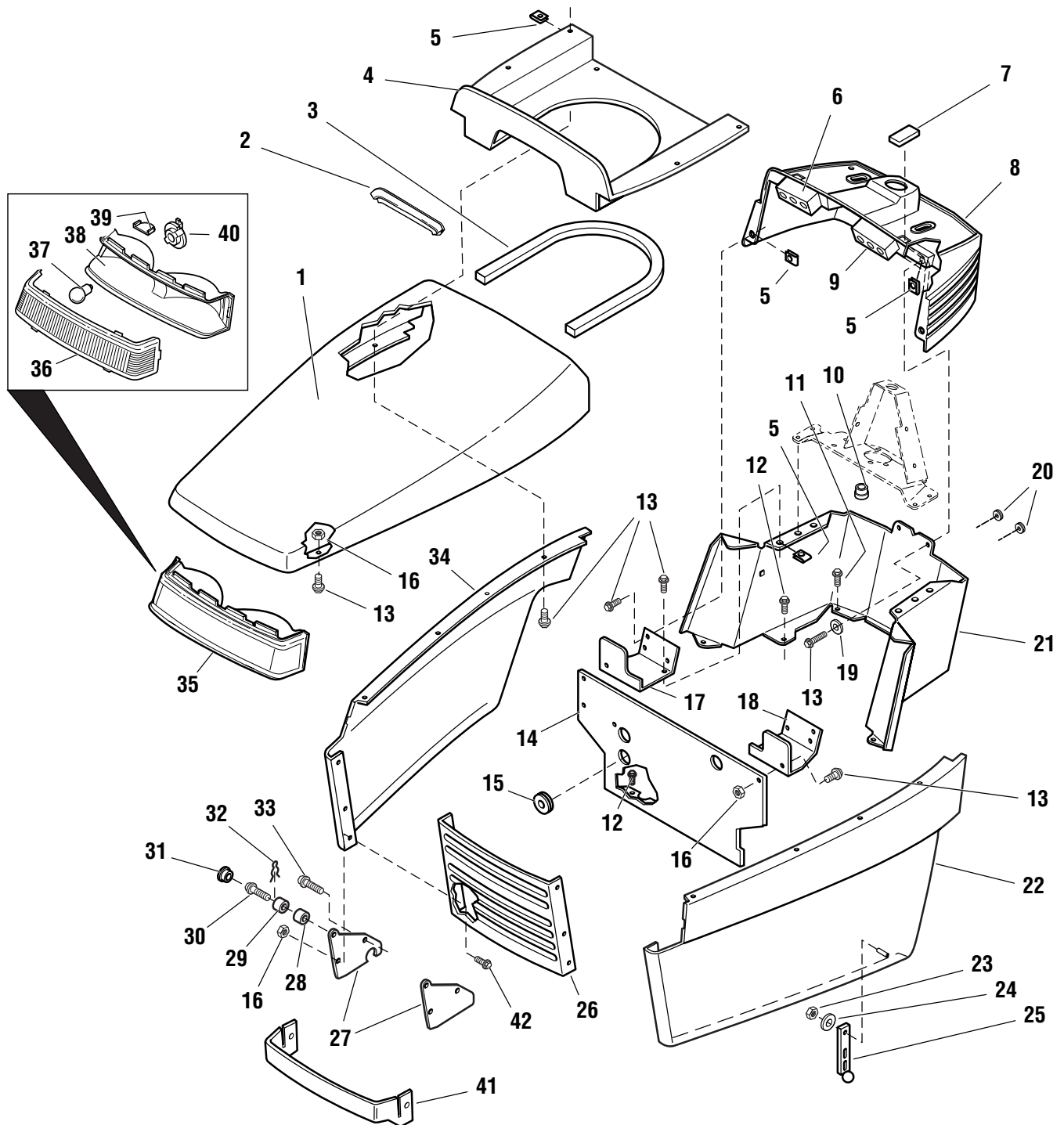
The above parts group applies to the following Mfg. Nos.:

1693583 Baron, 18HP Tractor
1693494 Baron, 18HP Tractor (Export)
1693686 Baron, 18HP Tractor (Export)

Hood, Grille & Dash Group

985546

NOTE: Unless noted otherwise,
use the standard hardware torque
specification chart.



The above parts group applies to the following Mfg. Nos.:

- 1693583 Baron, 18HP Tractor
- 1693494 Baron, 18HP Tractor (Export)
- 1693686 Baron, 18HP Tractor (Export)

Hood, Grille & Dash Group

| REF NO. | PART NO. | QTY. | DESCRIPTION |
|---------|----------|------|---|
| 1 | 1703240 | 1 | HOOD, Orange |
| 1 | 41703240 | 1 | HOOD, Red |
| 2 | 1717519 | 1 | EDGING, 9" Long, Black Rubber |
| 3 | 1720329 | 1 | SEAL, Foam, 1 x 1-1/4 Horseshoe |
| 4 | 1719739 | 1 | DUCT, Air 16GA |
| 5 | 1960368 | 10 | NUT, Speed Lug |
| 6 | 1720327 | 1 | LENS, Indicator R H , (PTO On) |
| 7 | 1709188 | 1 | PLUG, Hole, Black Plastic |
| 8 | 1720326 | 1 | DASHBOARD, Lenses, (Includes Ref. Nos. 6 & 9) |
| 9 | 1720328 | 1 | LENS, Indicator L H, (BLUE/GREEN) |
| 10 | 176440 | 1 | BUSHING, Nylon |
| 11 | 1927428 | 1 | CAPSCREW, Hex Washer Head, Taptite, 1/4-20 x 3/8 |
| 12 | 1925003 | 7 | CAPSCREW, Hex Washer Head, Taptite, 1/4-20 x 1/2 |
| 13 | 1960295 | 22 | CAPSCREW, Hex Flange Whizlock, 1/4-20 x 5/8 |
| 14 | 1722006 | 1 | BULKHEAD |
| 15 | 1704927 | 2 | GROMMET |
| 16 | 1920397 | 10 | NUT, Hex Lock ESNA Light 1/4-20 |
| 17 | 1719978 | 1 | SUPPORT, Bulkhead R H w/Hole |
| 18 | 1719845 | 1 | SUPPORT, Bulkhead L H |
| 19 | 1921319 | 2 | WASHER, 1/4 |
| 20 | 1670675 | 2 | BUMPER, Button, Black Rubber |
| 21 | 1709238 | 1 | DASH, Lower 16GA |
| 22 | 1704879 | 1 | PANEL & WELD STUD ASSEMBLY, L H Side, Orange |
| 22 | 41704879 | 1 | PANEL & WELD STUD ASSEMBLY, L H Side, Red |
| 23 | 1933896 | 2 | NUT, Hex Lock, 10-24 w/Nylon Insert |
| 24 | 1960096 | 2 | WASHER, 3/16 |
| 25 | 171600 | 2 | STRAP, Hood, Black Rubber 4.8" Long |
| 26 | 1721203 | 1 | GRILLE, 16GA |
| 27 | 1716128 | 2 | HINGE, Hood |
| 28 | 1705249 | 2 | SPACER |
| 29 | 1705248 | 2 | PIVOT, Hood |
| 30 | 1960373 | 2 | CAPSCREW, Hex Washer Head, Taptite, 5/16-18 x 1 |
| 31 | 1704626 | 2 | SPACER, Nylon |
| 32 | 1704628 | 2 | PIN, Quick, (Hairpin) |
| 33 | 1930601 | 2 | CAPSCREW, Hex Washer Head, Taptite, 5/16-18 x 5/8 |
| 34 | 1704878 | 1 | PANEL & WELD STUD ASSEMBLY, R.H. Side, Orange |
| 34 | 41704878 | 1 | PANEL & WELD STUD ASSEMBLY, R.H. Side, Red |
| 35 | 1703945 | 1 | HEADLIGHT ASSEMBLY, (Includes Ref. Nos. 36, 37, 38, 39, & 40) |
| 36 | 1703248 | 1 | LENS, Headlight |
| 37 | 1677371 | 1 | BULB, Headlight |
| 38 | 1703249 | 1 | BEZEL, Headlight |
| 39 | 1703946 | 1 | HEAT SHEILD, Headlight |
| 40 | 1677370 | 1 | SOCKET, Headlight |
| 41 | 1721146 | 1 | BUMPER |
| 42 | 1930594 | 2 | CAPSCREW, Hex Flange Whizlock, 1/4-20 x 3/4 |

Footnotes:

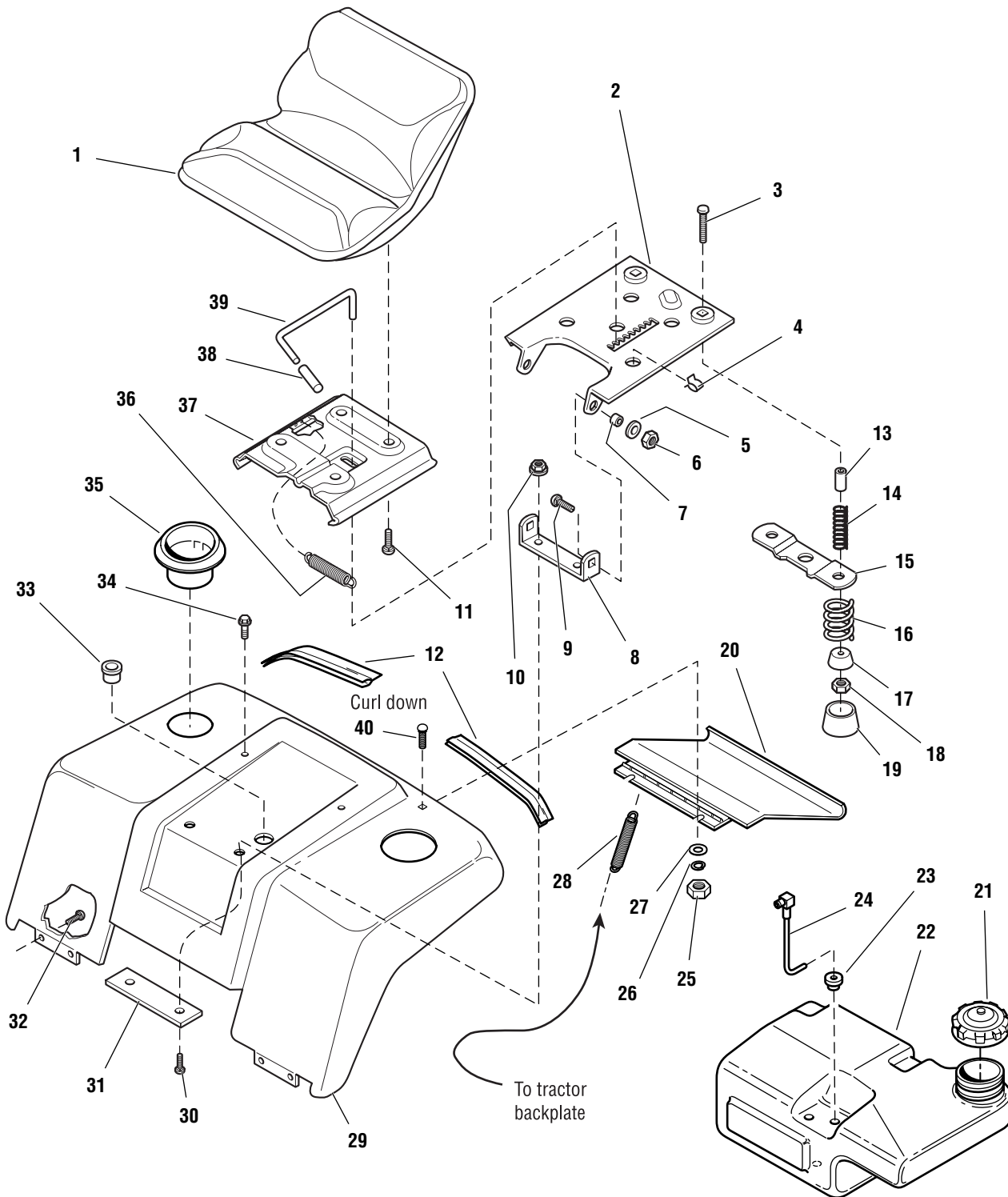
The above parts group applies to the following Mfg. Nos.:

1693583 Baron, 18HP Tractor
1693494 Baron, 18HP Tractor (Export)
1693686 Baron, 18HP Tractor (Export)

Seat, Seat Deck & Fuel Tank Group

985548

NOTE: Unless noted otherwise,
use the standard hardware torque
specification chart.



The above parts group applies to the following Mfg. Nos.:

- 1693583 Baron, 18HP Tractor
- 1693494 Baron, 18HP Tractor (Export)
- 1693686 Baron, 18HP Tractor (Export)

Seat, Seat Deck & Fuel Tank Group

| REF NO. | PART NO. | QTY. | DESCRIPTION |
|---------|----------|------|---|
| 1 | 1721702 | 1 | SEAT, w/Cusion No Arms |
| 2 | 1709307 | 1 | SUPPORT, Seat Pivot |
| 3 | 1931339 | 2 | CARRIAGE BOLT, 5/16-18 x 2 |
| 4 | 172434 | 1 | CLIP, Speed Wire |
| 5 | 1924940 | 2 | WASHER, 3/8 |
| 6 | 1919439 | 2 | NUT, Hex Lock ESNA Light, 3/8-16 |
| 7 | 1663752 | 2 | SPACER |
| 8 | 1718858 | 1 | BRACKET |
| 9 | 1931350 | 2 | CARRIAGE BOLT, 3/8-16 x 2 |
| 10 | 1928352 | 2 | NUT, Hex Flange Whizlock, 3/8-16 |
| 11 | 1931648 | 4 | CAPSCREW, Hex Flange Whizlock, 5/16-18 x 1/2 |
| 12 | 1720447 | 2 | EDGING, 11 Long, Black Rubber |
| 13 | 1704299 | 2 | SPACER |
| 14 | 1709308 | 2 | SPRING, Compression |
| 15 | 1719809 | 1 | PLATE, Switch |
| 16 | 1707137 | 1 | SPRING, Extension, Black |
| 17 | 1709256 | 2 | WASHER, Spring, Cone |
| 18 | 1919438 | 2 | NUT, Hex Lock ESNA Light, 5/16-18 |
| 19 | 1704724 | 2 | COVER, Spring, Black Vinyl |
| 20 | 1721111 | 1 | DOOR & HINGE ASSEMBLY, Hopper |
| 21 | 1715917 | 1 | CAP, Fuel Tank, Black |
| 22 | 1719206 | 1 | TANK, Fuel |
| 23 | 1654930 | 1 | BUSHING, Rubber |
| 24 | 1704108 | 1 | ELBOW & TUBE ASSEMBLY |
| 25 | 1916622 | 2 | NUT, Hex 1/4-20 |
| 26 | 1916964 | 2 | LOCKWASHER, 1/4 |
| 27 | 1921319 | 2 | WASHER, 1/4 |
| 28 | 1707471 | 1 | SPRING, Extension |
| 29 | 1719679 | 1 | DECK & WELD STUDS ASSEMBLY, Seat, Orange |
| 29 | 41719679 | 1 | DECK & WELD STUDS ASSEMBLY, Seat, Red |
| 30 | 1960459 | 2 | CAPSCREW, Truss Head, Torx Drive, 3/8-16 x 1 |
| 31 | 1708361 | 1 | PLATE |
| 32 | 1925003 | 4 | CAPSCREW, Hex Washer Head, Taptite, 1/4-20 x 1/2 |
| 33 | 1701229 | 1 | BUSHING, Snap |
| 34 | 1930601 | 2 | CAPSCREW, Hex Washer Head, Taptite, 5/16-18 x 5/8 |
| 35 | 1719392 | 1 | HOLDER, Cup, Black Plastic |
| 36 | 1704728 | 2 | SPRING, Compression |
| 37 | 1714441 | 1 | SLIDE, Seat |
| 38 | 1704723 | 1 | GRIP, Black Vinyl |
| 39 | 1719712 | 1 | LEVER, Seat Release |
| 40 | 1931339 | 2 | CARRIAGE BOLT, 1/4-20 x 3/4 |

Footnotes:

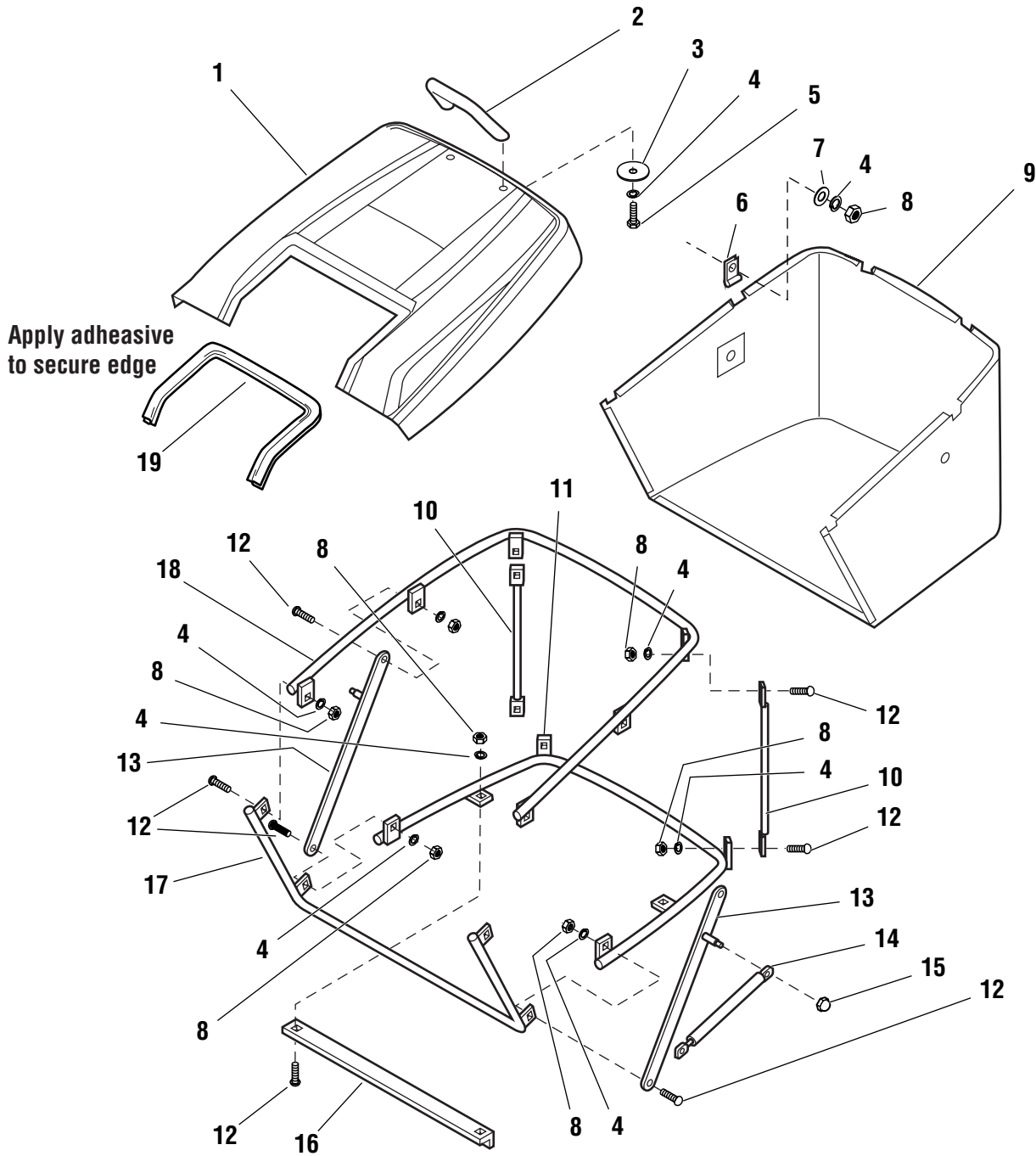
The above parts group applies to the following Mfg. Nos.:

1693583 Baron, 18HP Tractor
1693494 Baron, 18HP Tractor (Export)
1693686 Baron, 18HP Tractor (Export)

Hopper Group

985551

NOTE: Unless noted otherwise,
use the standard hardware torque
specification chart.



The above parts group applies to the following Mfg. Nos.:

- 1693583 Baron, 18HP Tractor
- 1693494 Baron, 18HP Tractor (Export)
- 1693686 Baron, 18HP Tractor (Export)

Hopper Group

| REF NO. | PART NO. | QTY. | DESCRIPTION |
|---------|----------|------|-----------------------------------|
| 1 | 1720020 | 1 | LID ASSEMBLY, Hopper |
| 2 | 1719939 | 1 | HANDLE, Grab |
| 3 | 1920283 | 2 | WASHER, 5/16 |
| 4 | 1917356 | 20 | LOCKWASHER, 5/16 |
| 5 | 1921332 | 2 | CAPSCREW, Hex Head, 5/16-18 x 3/4 |
| 6 | 1708007 | 6 | CLAMP |
| 7 | 1919381 | 6 | WASHER, 5/16 |
| 8 | 1917372 | 18 | NUT, Hex 5/16-18 |
| 9 | 1721983 | 1 | BAG, Grass Plastic Bottom, Black |
| 10 | 1720013 | 2 | ROD |
| 11 | 1720010 | 1 | ROD & TABS ASSEMBLY, Bottom Bag |
| 12 | 1931335 | 12 | CARRIAGE BOLT, 5/16-18 x 1 |
| 13 | 1720083 | 2 | BRACE & PIVOT ASSEMBLY, Cylinder |
| 14 | 1719351 | 2 | CYLINDER, 8.0" Stoke |
| 15 | 1720458 | 2 | NUT, Push On |
| 16 | 1720008 | 1 | SUPPORT, Bag Bottom |
| 17 | 1720011 | 1 | ROD & BRACES ASSEMBLY, Bag Front |
| 18 | 1720009 | 1 | ROD & TABS ASSEMBLY, Top Bag |
| 19 | 1721175 | 1 | EDGING, Seal |

Footnotes:

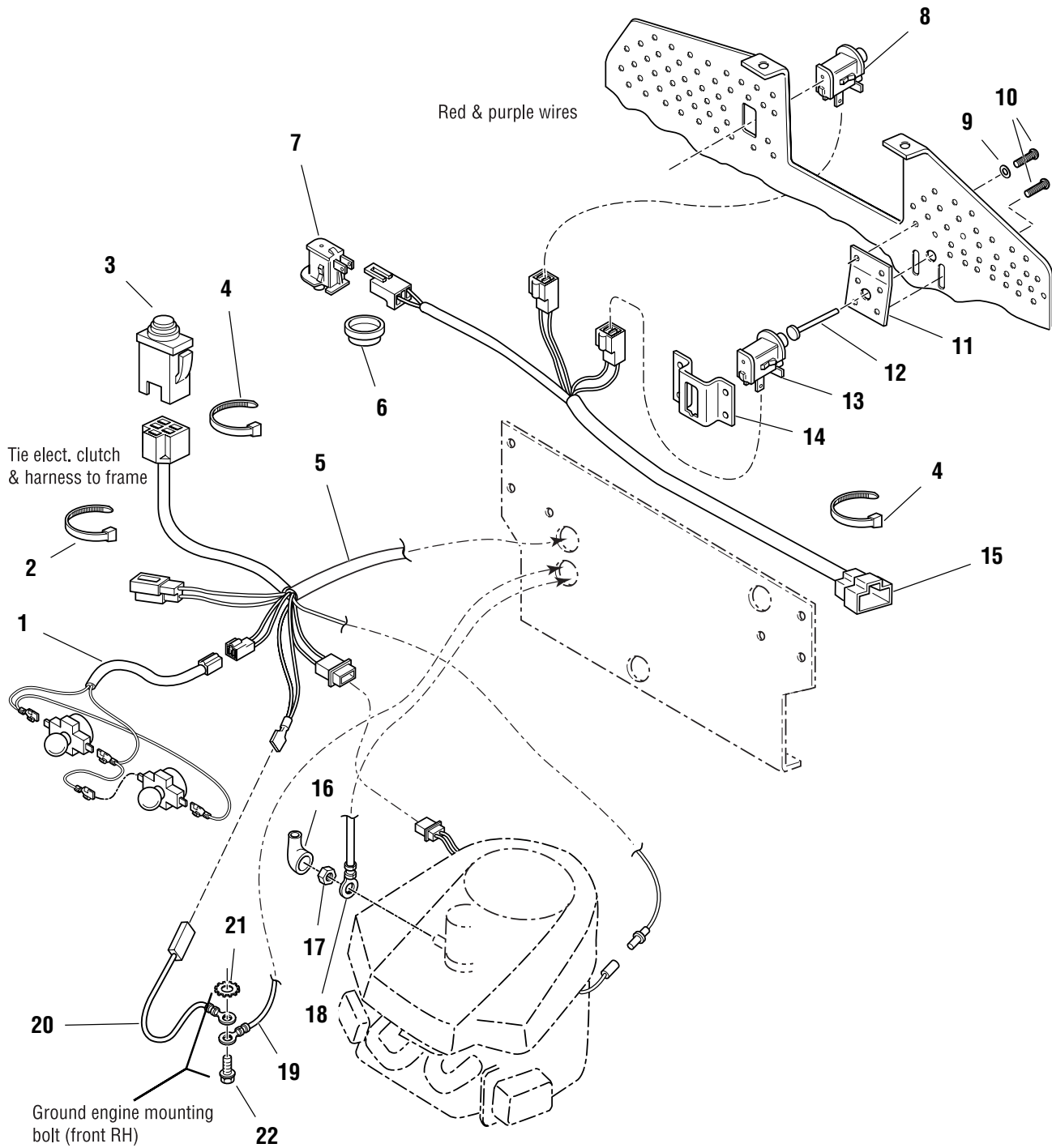
The above parts group applies to the following Mfg. Nos.:

1693583 Baron, 18HP Tractor
1693494 Baron, 18HP Tractor (Export)
1693686 Baron, 18HP Tractor (Export)

Electrical Group – Lower Harness

985549Lower

NOTE: Unless noted otherwise, use the standard hardware torque specification chart.



The above parts group applies to the following Mfg. Nos.:

- 1693583 Baron, 18HP Tractor
- 1693494 Baron, 18HP Tractor (Export)
- 1693686 Baron, 18HP Tractor (Export)

Electrical Group – Lower Harness

| REF NO. | PART NO. | QTY. | DESCRIPTION |
|----------------|-----------------|-------------|--|
| 1 | 1674358 | 1 | HARNESS, Wiring For Headlights |
| 2 | 932747 | 1 | TIE, Self Locking, 3-5/8" Long |
| 3 | 1719681 | 1 | SWITCH, Push Button Foot Pedal |
| 4 | 925094 | 2 | TIE, Self Locking, 7-5/16" Long |
| 5 | 1719999 | 1 | HARNESS, Wiring |
| 6 | 1701229 | 1 | BUSHING, Snap |
| 7 | 1714770 | 1 | SWITCH, Push Button Seat Switch |
| 8 | 1720401 | 1 | SWITCH, Push Button Gray w/Boot, Safety |
| 9 | 1921319 | 2 | WASHER, Flat, 1/4 |
| 10 | 1925003 | 6 | CAPSCREW, Hex Washer Head, Taptite, 1/4-20 x 1/2 |
| 11 | 1720119 | 1 | PLATE, Cover Hopper Switch |
| 12 | 1720120 | 1 | ROD & WASHER ASSEMBLY, Hopper Switch |
| 13 | 1704379 | 1 | SWITCH, Push Button, Snap In, Grass Catcher Alarm |
| 14 | 1720118 | 1 | BRACKET, Hopper Switch |
| 15 | 1720001 | 1 | WIRE ASSEMBLY, Rear Bagger |
| 16 | 122023 | 1 | BOOT, Insulator, Battery Terminal |
| 17 | 916622 | 1 | NUT, Hex 1/4-20 |
| 18 | 1668819 | 1 | CABLE, # 6 x 25 Long, (2) Ring Terminals |
| 19 | 1713163 | 1 | CABLE, # 6 x 26 Long, 1/4 & 3/8 Ring Terms |
| 20 | 1707232 | 1 | WIRE ASSEMBLY |
| 21 | 920427 | 1 | LOCKWASHER, External Tooth, 3/8 |
| 22 | 930598 | 1 | CAPSCREW, Hex Washer Head, Taptite, 3/8-16 x 1 1/2 |

Footnotes:

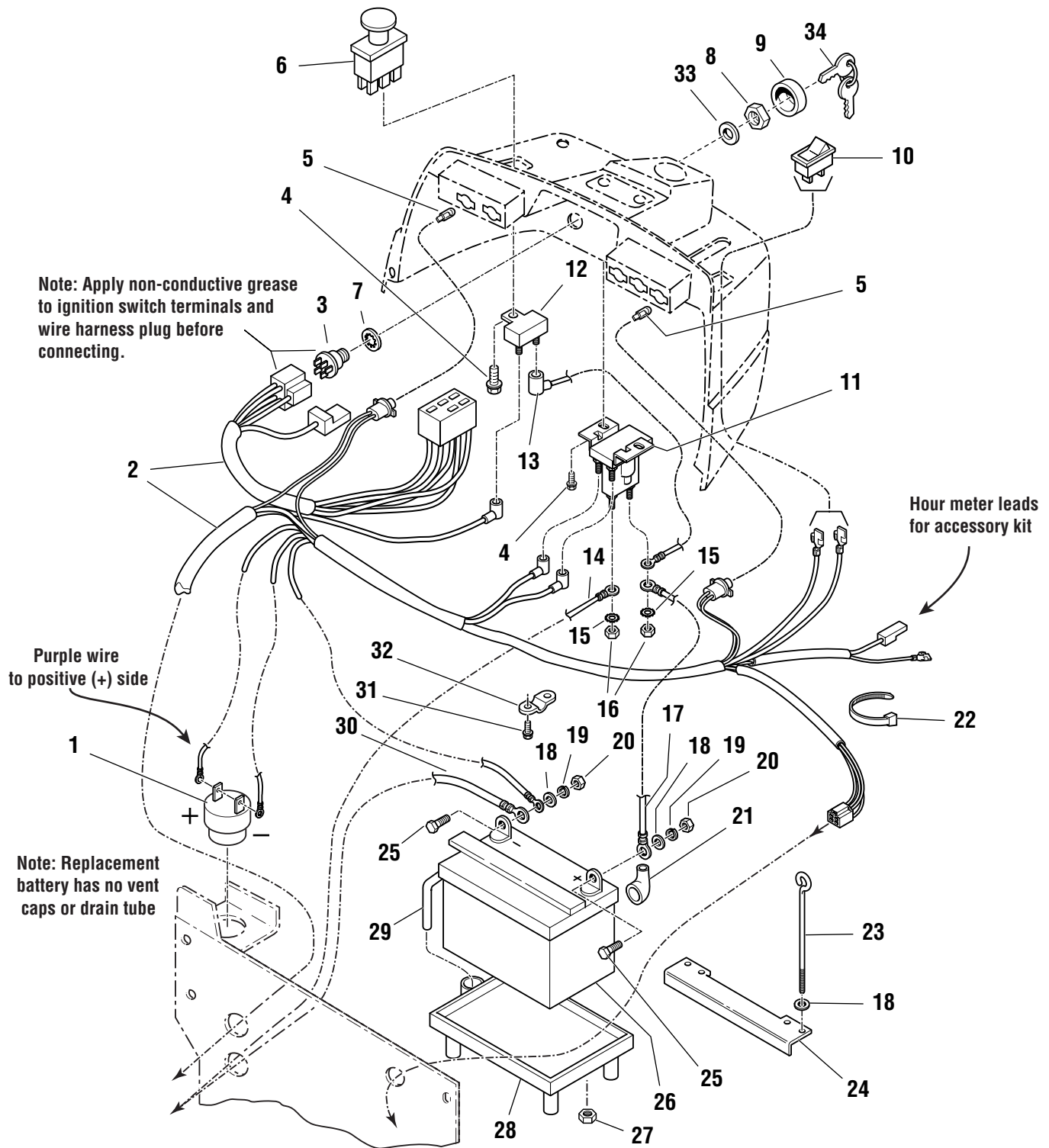
The above parts group applies to the following Mfg. Nos.:

1693583 Baron, 18HP Tractor
1693494 Baron, 18HP Tractor (Export)
1693686 Baron, 18HP Tractor (Export)

Electrical Group – Upper Harness

985549Upper

NOTE: Unless noted otherwise, use the standard hardware torque specification chart.



The above parts group applies to the following Mfg. Nos.:

- 1693583 Baron, 18HP Tractor
- 1693494 Baron, 18HP Tractor (Export)
- 1693686 Baron, 18HP Tractor (Export)

Electrical Group – Upper Harness

| REF NO. | PART NO. | QTY. | DESCRIPTION |
|---------|----------|------|--|
| 1 | 1720117 | 1 | BUZZER, Pulse, (Grass Bag Full) |
| 2 | 1719999 | 1 | HARNESS, Wiring |
| 3 | 1686734 | 1 | SWITCH ASSEMBLY, Ignition 5/8-32 6 Terminal (Includes Ref. Nos. 7, 8, 9, 33 & 34) |
| 4 | 1960536 | 2 | CAPSCREW, Hex Washer Head, 1/4 x 1/2 |
| 5 | 1676130 | 2 | LAMP, Indicator |
| 6 | 1716332 | 1 | SWITCH, PTO Push/Pull w/Symbols |
| 7 | 1960547 | 1 | LOCKWASHER, Internal Tooth, 5/8 |
| 8 | 1717549 | 1 | NUT, Hex Flange 5/8-32 |
| 9 | 1717550 | 1 | COVER, Ignition Switch |
| 10 | 1703799 | 1 | SWITCH, Rocker, Headlight |
| 11 | 1685290 | 1 | SOLENOID, 4 Pole 12 Volt DC |
| 12 | 1665238 | 1 | BREAKER, Circuit 12 Volt 20 amps w/Tab |
| 13 | 1665237 | 1 | WIRE, 12GA, Red |
| 14 | 1668819 | 1 | CABLE, # 6 x 25 Long (2) Ring Terminals |
| 15 | 920426 | 2 | LOCKWASHER, External Tooth, 5/16 |
| 16 | 1920263 | 2 | NUT, Hex, 5/16-24 NF |
| 17 | 1603618 | 1 | CABLE, # 6 x 8 Long, (2) Ring Terminals |
| 18 | 921319 | 4 | WASHER, 1/4 |
| 19 | 916964 | 2 | LOCKWASHER, 1/4 |
| 20 | 1916622 | 2 | NUT, Hex, 1/4-20 |
| 21 | 1677296 | 1 | BOOT, Insulator, Battery Terminal |
| 22 | 920594 | 2 | TIE, Self Locking, 7-5/16" Long |
| 23 | 1704632 | 2 | ROD, Battery Hold Down |
| 24 | 1718596 | 1 | BRACKET, Battery Hold Down |
| 25 | 923341 | 2 | CAPSCREW, Hex Head, 1/4-20 x 3/4 |
| 26 | 1685215 | 1 | BATTERY, 12 Volt 6 Cell 340 amps |
| 27 | 1704349 | 2 | NUT, Plastic Expanding |
| 28 | 1704112 | 1 | TRAY, Battery |
| 29 | 1612103 | 1 | HOSE, Drain |
| 30 | 1713163 | 1 | CABLE, # 6 x 26 Long 1/4 & 3/8 Ring Terminals |
| 31 | 1960369 | 4 | CAPSCREW, Hex Washer Head, 3/8-16 x 1/2 |
| 32 | 1704614 | 1 | STRAP |
| 33 | 101025 | 1 | WASHER, 5/8 |
| 34 | 1717163 | 1 | KEY, Ignition (Set of 2) |

Footnotes:

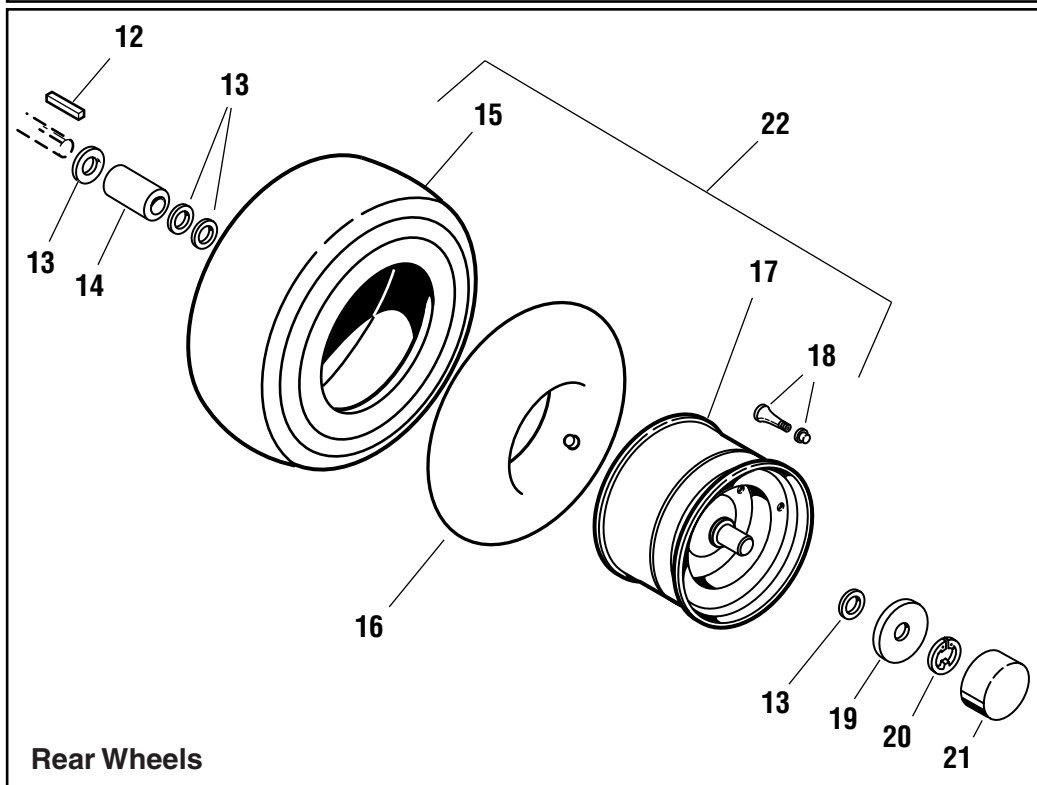
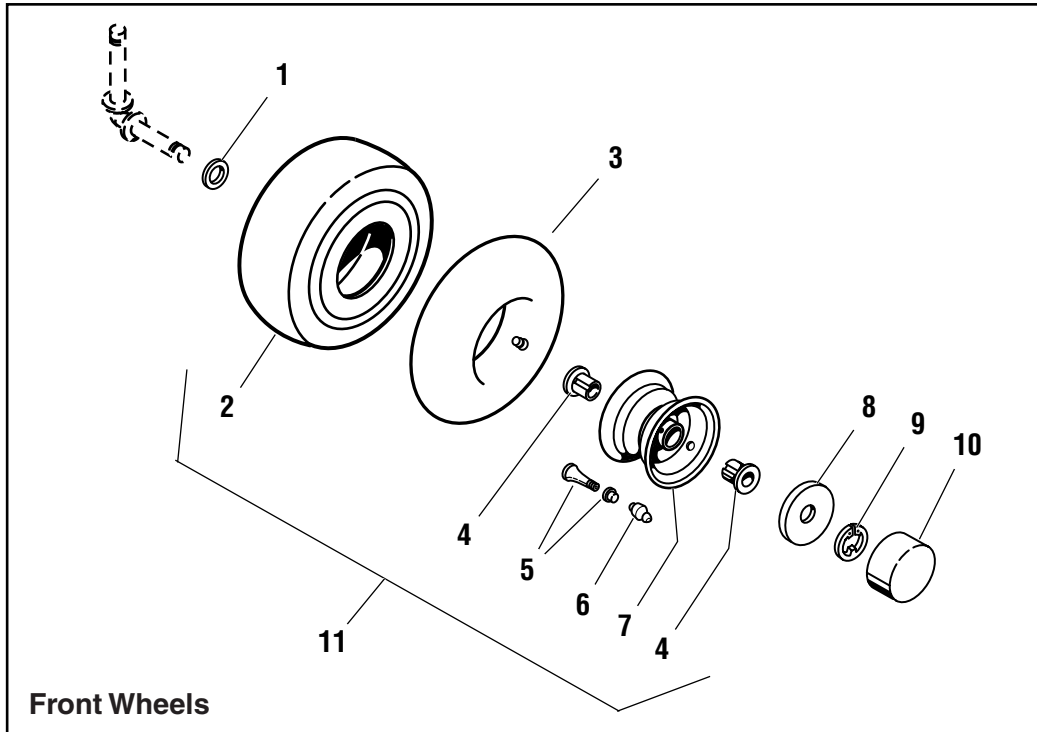
The above parts group applies to the following Mfg. Nos.:

1693583 Baron, 18HP Tractor
1693494 Baron, 18HP Tractor (Export)
1693686 Baron, 18HP Tractor (Export)

Wheel & Tires Group

WheelsMISC

NOTE: Unless noted otherwise,
use the standard hardware torque
specification chart.



The above parts group applies to the following Mfg. Nos.:

- 1693583 Baron, 18HP Tractor
- 1693494 Baron, 18HP Tractor (Export)
- 1693686 Baron, 18HP Tractor (Export)

Wheel & Tires Group

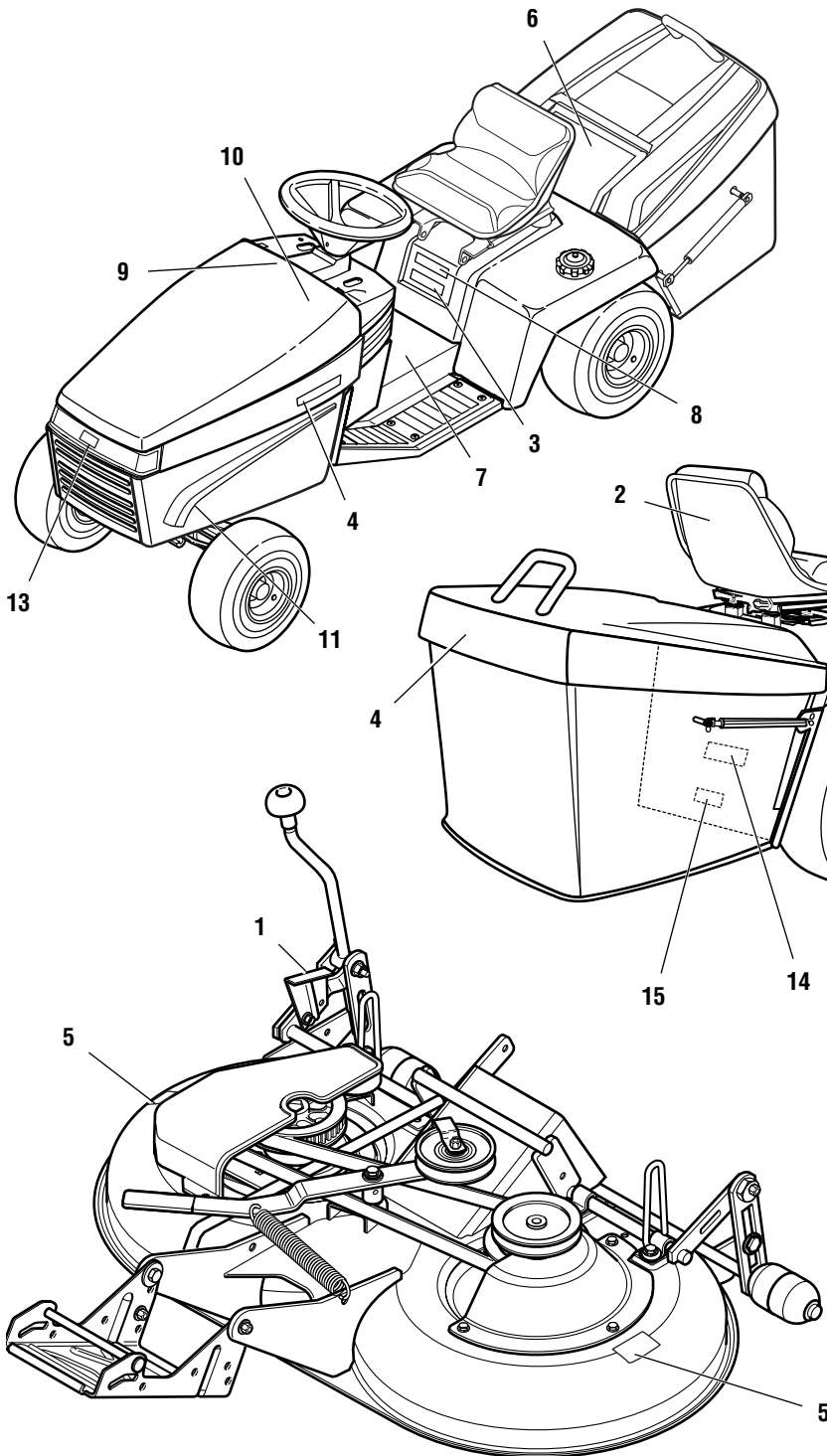
| REF NO. | PART NO. | QTY. | DESCRIPTION |
|---------|----------|------|---|
| 1 | 1960160 | 2 | WASHER, Special, 3/4 (Install to the inside of wheel) |
| 2 | 1713166 | 2 | TIRE, 15 x 6.00-6 |
| 3 | 1664090 | 2 | TUBE, 4.10/3.50-6 |
| 4 | 1713167 | 4 | BEARING |
| 5 | 172353 | 2 | VALVE STEM & CAP |
| 6 | 912808 | 2 | FITTING, Grease |
| 7 | 1715032 | 2 | WHEEL ASSEMBLY, (Includes Ref. No. 4) |
| 8 | 1701435 | 4 | RETAINER, Hub Cap, Black |
| 9 | 1611710 | 2 | RING, Retaining |
| 10 | 1676519 | 2 | CAP, Hub |
| 11 | 1709856 | 2 | WHEEL & TIRE ASSEMBLY, 15 x 6.00-6 (Includes Ref. Nos. 2, 4, 5, 6, & 7) |
| 12 | 1717749 | 2 | KEY |
| 13 | 960202 | 8 | WASHER |
| 14 | 1717451 | 2 | SPACER |
| 15 | 1713170 | 2 | TIRE, 18 x 8 1/2-8 |
| 16 | 173477 | 2 | TUBE |
| 17 | 1716132 | 2 | WHEEL ASSEMBLY |
| 18 | 172353 | 2 | VALVE STEM & CAP |
| 19 | 1701435 | 2 | RETAINER, Cap, Hub |
| 20 | 927794 | 2 | E-RING |
| 21 | 1676519 | 2 | CAP, Hub, Black |
| 22 | 1720099 | 2 | WHEEL & TIRE ASSEMBLY, (Includes Ref. Nos. 15, 17, & 18) |

Footnotes:

The above parts group applies to the following Mfg. Nos.:

1693583 Baron, 18HP Tractor
1693494 Baron, 18HP Tractor (Export)
1693686 Baron, 18HP Tractor (Export)

NOTE: Unless noted otherwise, use the standard hardware torque specification chart.



| | |
|--|--|
| <p>THROTTLE - Always operate at full throttle. - Keep off of full throttle.</p> <p>CHOKE - Pull back OUT to engage. - Push back IN to disengage.</p> <p>IGNITION SWITCH - Ignition switch.</p> <p>MOWER LIFT LEVER - Mower lift lever. - Push up to raise deck. - Push down to lower deck.</p> | <p>TO OPERATE PTO CLUTCH - Push up to engage. - Push down to disengage.</p> <p>BRAKE PEDAL - Push down to engage. - Push up to disengage.</p> <p>GROUND SPEED CONTROL - Push up to engage. - Push down to disengage.</p> <p>CUTTING HEIGHT ADJUST - Turn clockwise to raise cutting height. - Turn counter-clockwise to lower cutting height.</p> <p>PTO RELEASE - Push up to engage. - Push down to disengage.</p> <p>TRANSMISSION RELEASE VALVE - Push up to engage. - Push down to disengage.</p> |
| <p>ROTATING BLADES CUT OFF ARMS AND LEGS - Rotating blades can cut off arms and legs. NO REPAIRS - THEY FALL OFF.</p> | <p>OPERATION</p> <p>To Start Engine: - Set parking brake, PTO switch off and transmission in neutral. To STOP Engine: - Lower deck to ground, Mower lift to full down, PTO switch to OFF.</p> <p>When Operator Leaves Seat: - Stop and set parking brake. Before Leaving Mower: - Turn off engine, PTO and ground speed control, remove key and set parking brake.</p> |
| <p>OPERATING ON SLOPES CAN BE DANGEROUS - NEVER OPERATE ON SLOPES. - IF YOU CANNOT BACK UP A HILL, DO NOT GET DOWN IT.</p> | <p>AVOID SERIOUS INJURY OR DEATH</p> <p>NEVER OPERATE MOWER ON SLOPES. - ALWAYS WEAR SEATBELT. - ALWAYS WEAR SAFETY BELT. - ALWAYS WEAR SHOES. - ALWAYS WEAR GLOVES. - ALWAYS WEAR HAT. - ALWAYS WEAR SUNGLASSES. - ALWAYS WEAR EYE PROTECTION. - ALWAYS WEAR HEARING PROTECTION. - ALWAYS WEAR PROTECTIVE CLOTHING. - ALWAYS WEAR PROTECTIVE EQUIPMENT. - ALWAYS WEAR PROTECTIVE DEVICES. - ALWAYS WEAR PROTECTIVE TOOLS. - ALWAYS WEAR PROTECTIVE MATERIALS.</p> |

| | | |
|---|--|--|
| <p>STOP ENGINE, MOTOR ANHALTEN, STOP MOTOR, ARRÊTER LE MOTEUR, FERMER MOTEUR.</p> <p>DO NOT TOW! NEVER TOW! NIE SCHLEPPEN! NE PAS REMORQUER! NEU TRANSPORT!</p> | <p>PUSH SCHÜBEN PUSH POUSSER SPREISEN</p> | <p>DRIVE FAHREN CONDUIRE CONDUIRE</p> |
|---|--|--|

| | |
|--|--|
| <p>STOP ENGINE, MOTOR ANHALTEN, STOP MOTOR, ARRÊTER LE MOTEUR, FERMER MOTEUR.</p> | <p>DO NOT TOW! NEVER TOW! NIE SCHLEPPEN! NE PAS REMORQUER! NEU TRANSPORT!</p> |
| <p>⚠ DANGER</p> <p>ROTATING CUTTING BLADE Do not put hands or feet under mower deck while blade is rotating.</p> | |

| | |
|---|--|
| <p>⚠ WARNING</p> | |
| <p>Do not operate mower with rear grass catcher open</p> | <p>Do not operate mower without catcher or discharge deflector in place</p> |

The above parts group applies to the following Mfg. Nos.:

- 1693583 Baron, 18HP Tractor
- 1693554 40" Mower Deck
- 1693560 40" Mower Deck
- 1693585 40" Mower Deck

Decals Group

| REF NO. | PART NO. | QTY. | DESCRIPTION |
|----------------|-----------------|-------------|--|
| 1 | 1721197 | 1 | DECAL, Cutting Height |
| 2 | 1708927 | 1 | DECAL, Logo, USA |
| 3 | 1717706 | 1 | DECAL, Engine, 18V-Twin |
| 4 | 1718508 | 3 | DECAL, Simplicity w/Logo, Fuel Resistant |
| 5 | 1720660 | 2 | DECAL, Danger, Rotating Blades |
| 6 | 1720661 | 1 | DECAL, Danger, Catcher Open |
| 7 | 1720658 | 1 | DECAL, Operating Instructions |
| 8 | 1720412 | 1 | DECAL, Baron |
| 9 | 1720454 | 1 | DECAL, Touch Up Paint |
| 10 | 1720460 | 1 | DECAL, Drive Belts/Mower Blades |
| 11 | 1720504 | 1 | DECAL, Hood Stripe L H |
| 12 | 1720505 | 1 | DECAL, Hood Stripe R H |
| 13 | 1717692 | 1 | DECAL, Simplicity Logo |
| 14 | 1722384 | 1 | DECAL, Transmission Release Valve |
| 15 | 1721141 | 1 | DECAL, Draw Bar |

Footnotes:

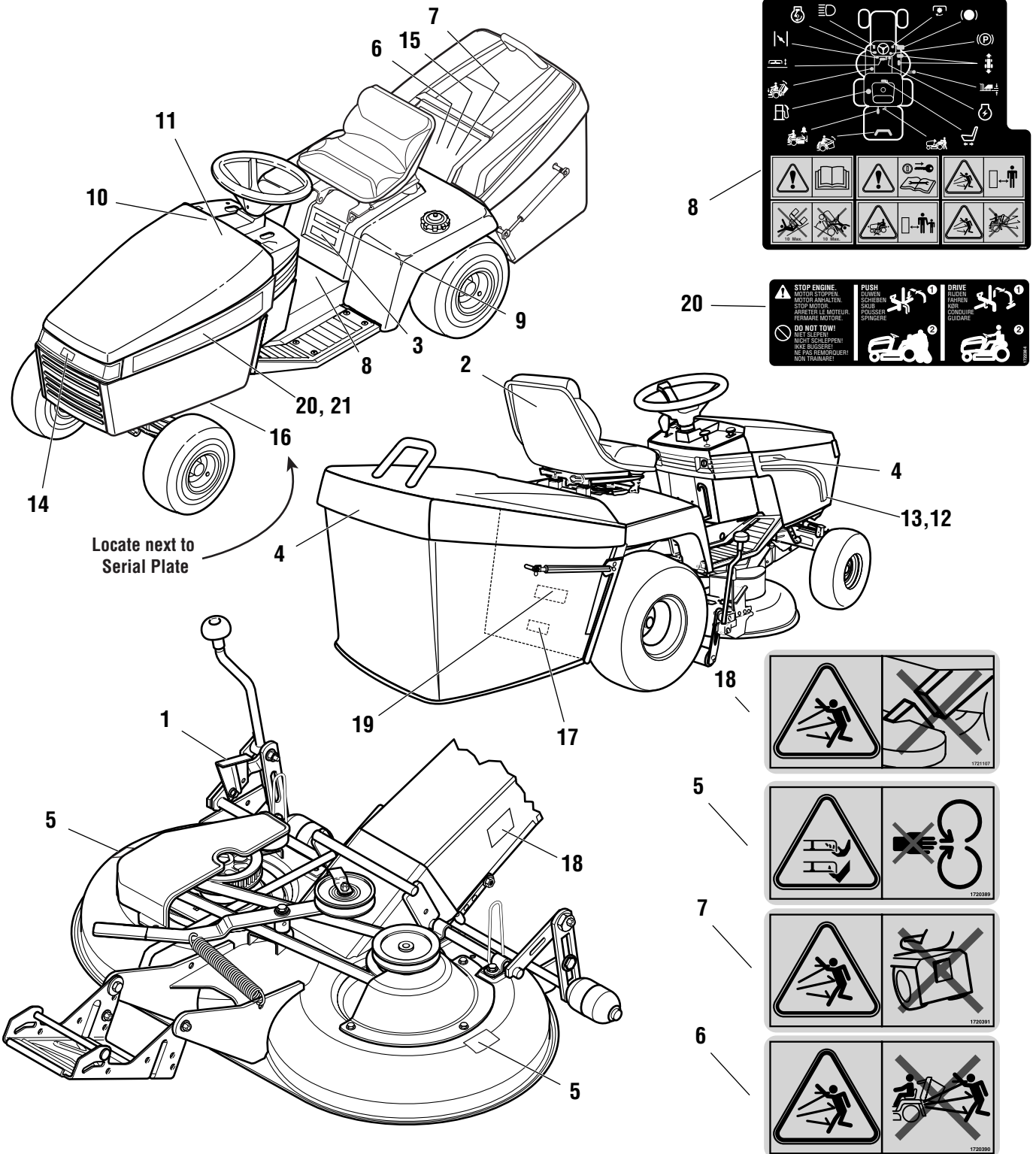
The above parts group applies to the following Mfg. Nos.:

1693583 Baron, 18HP Tractor
1693554 40" Mower Deck
1693560 40" Mower Deck
1693585 40" Mower Deck

Decals Group (Export)

DecalsExportMISC

NOTE: Unless noted otherwise, use the standard hardware torque specification chart.



The above parts group applies to the following Mfg. Nos.:

- 1693494 Baron, 18HP Tractor (Export)
- 1693686 Baron, 18HP Tractor (Export)
- 1693575 102 cm Mower Deck (Export)

Decals Group (Export)

| REF NO. | PART NO. | QTY. | DESCRIPTION |
|----------------|-----------------|-------------|--|
| 1 | 1721197 | 1 | DECAL, Cutting Height |
| 2 | 1708927 | 1 | DECAL, Logo, USA |
| 3 | 1717706 | 1 | DECAL, Engine, 18V-Twin |
| 4 | 1718508 | 3 | DECAL, Simplicity w/Logo, Fuel Resistant |
| 5 | 1720389 | 2 | DECAL, Danger, Rotating Blades |
| 6 | 1720390 | 1 | DECAL, Danger, Catcher Open |
| 7 | 1720391 | 1 | DECAL, Danger Operating w/o Catcher |
| 8 | 1720392 | 1 | DECAL, Operating Instructions Symbols |
| 9 | 1720412 | 1 | DECAL, Baron |
| 10 | 1720454 | 1 | DECAL, Touch Up Paint |
| 11 | 1720460 | 1 | DECAL, Drive Belts/Mower Blades |
| 12 | 1720504 | 1 | DECAL, Hood Stripe L H |
| 13 | 1720505 | 1 | DECAL, Hood Stripe R H |
| 14 | 1717692 | 1 | DECAL, Simplicity Logo |
| 15 | 1721108 | 1 | DECAL, Danger Hopper Lid |
| 16 | * | 1 | DECAL, GS-Safety |
| 17 | 1721141 | 1 | DECAL, Drawbar |
| 18 | 1721107 | 1 | DECAL, Danger, Discharge Tube |
| 19 | 1722384 | 1 | DECAL, Transmission Release Valve |
| 20 | 1722475 | 1 | DECAL, Massey Ferguson Hood L H |
| 21 | 1722474 | 1 | DECAL, Massey Ferguson Hood R H |

Footnotes:

*** Not a serviceable part.**

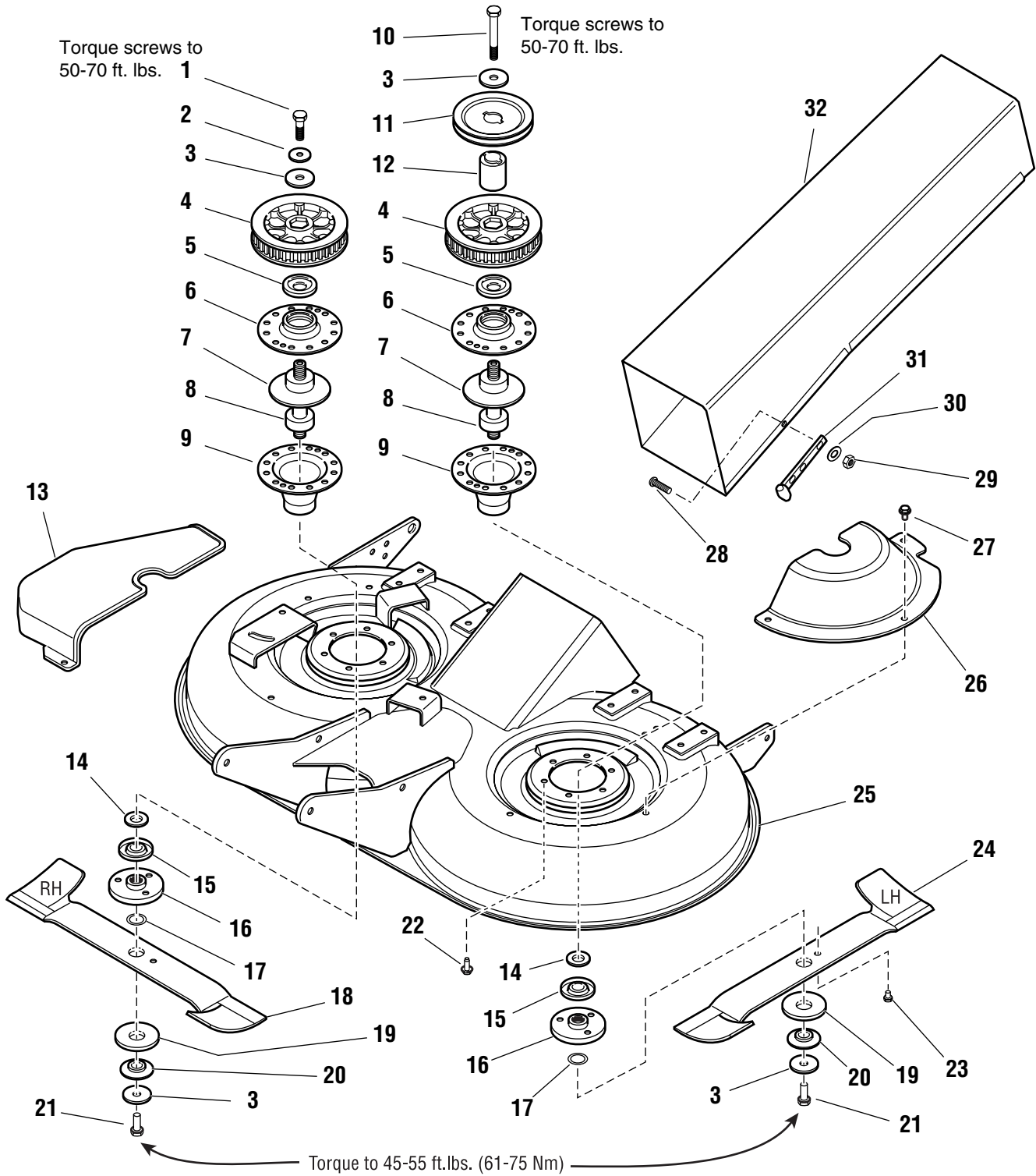
The above parts group applies to the following Mfg. Nos.:

1693494 Baron, 18HP Tractor (Export)
1693686 Baron, 18HP Tractor (Export)
1693575 102 cm Mower Deck (Export)

40" (102 cm) Mower Deck – Housing Arbors & Blades (Serial No. 0001 - 1999)

985742

NOTE: Unless noted otherwise, use the standard hardware torque specification chart.



The above parts group applies to the following Mfg. Nos.:

- 1693554 40" Mower Deck
- 1693560 40" Mower Deck
- 1693585 40" Mower Deck
- 1693575 102 cm Mower Deck (Export)

40" (102 cm) Mower Deck – Housing Arbors & Blades (Serial No. 0001 - 1999)

| REF NO. | PART NO. | QTY. | DESCRIPTION |
|---------|----------|------|---|
| 1 | 1936723 | 1 | CAPSCREW, Hex Head, 7/16-14 x 1-3/4 G8 |
| 2 | 1933263 | 1 | WASHER, 7/16 |
| 3 | 1656916 | 4 | WASHER, Spring, 1-3/4 |
| 4 | 1719766 | 2 | SPROCKET & FLANGE ASSEMBLY, Rivited |
| 5 | 1657969 | 2 | SHIELD, Bearing, Mower Arbor Upper |
| 6 | 1655729 | 2 | HOUSING, Arbor Top |
| 7 | 1707335 | 2 | GASKET, Foam |
| 8 | 1676278 | 2 | ARBOR SHAFT & BEARINGS ASSEMBLY |
| 9 | 1703273 | 2 | HOUSING, Arbor Bottom w/Lube Fitting |
| 10 | 1930585 | 1 | CAPSCREW, Hex Head, 7/16-14 x 3-1/2 G8 |
| 11 | 1713091 | 1 | PULLEY |
| 12 | 1719862 | 1 | HUB |
| 13 | 1721153 | 1 | COVER, Arbor R H |
| 14 | 1700230 | 2 | WASHER, Shim |
| 15 | 1700229 | 2 | SHIELD, Bearing, Mower Arbor Lower |
| 16 | 1655777 | 2 | ADAPTER, Blade 26, 30, 36, 42 & 48" |
| 17 | 1657528 | 2 | RING |
| 18 | 1719737 | 1 | BLADE, Mower RH 40 |
| 19 | 1719985 | 2 | WASHER, 1 |
| 20 | 1720587 | 2 | WASHER, Spline |
| 21 | 923471 | 2 | CAPSCREW, Hex Head, 7/16-14 x 1-1/4 G8 |
| 22 | 1664847 | 12 | CAPSCREW, Hex Washer Head, Taptite, 5/16-18 x 3/4 |
| 23 | 1722258 | 2 | PIN, Blade |
| 24 | 1719736 | 1 | BLADE, Mower LH 40 |
| 25 | 1686784 | 1 | HOUSING ASSEMBLY, 40" Mower, 2 Spindle, Orange |
| 25 | 41686784 | 1 | HOUSING ASSEMBLY, 40" Mower, 2 Spindle, Red |
| 26 | 1721154 | 1 | COVER, Arbor LH |
| 27 | 1924856 | 6 | CAPSCREW, Hex Washer Head, Taptite, 5/16-18 x 1/2 |
| 28 | 1960404 | 1 | CAPSCREW, Truss Head, Phillips, #10-24 x 3/4 |
| 29 | 1933896 | 1 | NUT, Hex Nylock , 10-24 |
| 30 | 1960096 | 3 | WASHER, 3/16 |
| 31 | 171600 | 1 | STRAP, Hood, Black Rubber, 4.8" Long |
| 32 | 1686817 | 1 | TUBE ASSEMBLY, Top & Bottom Rear |

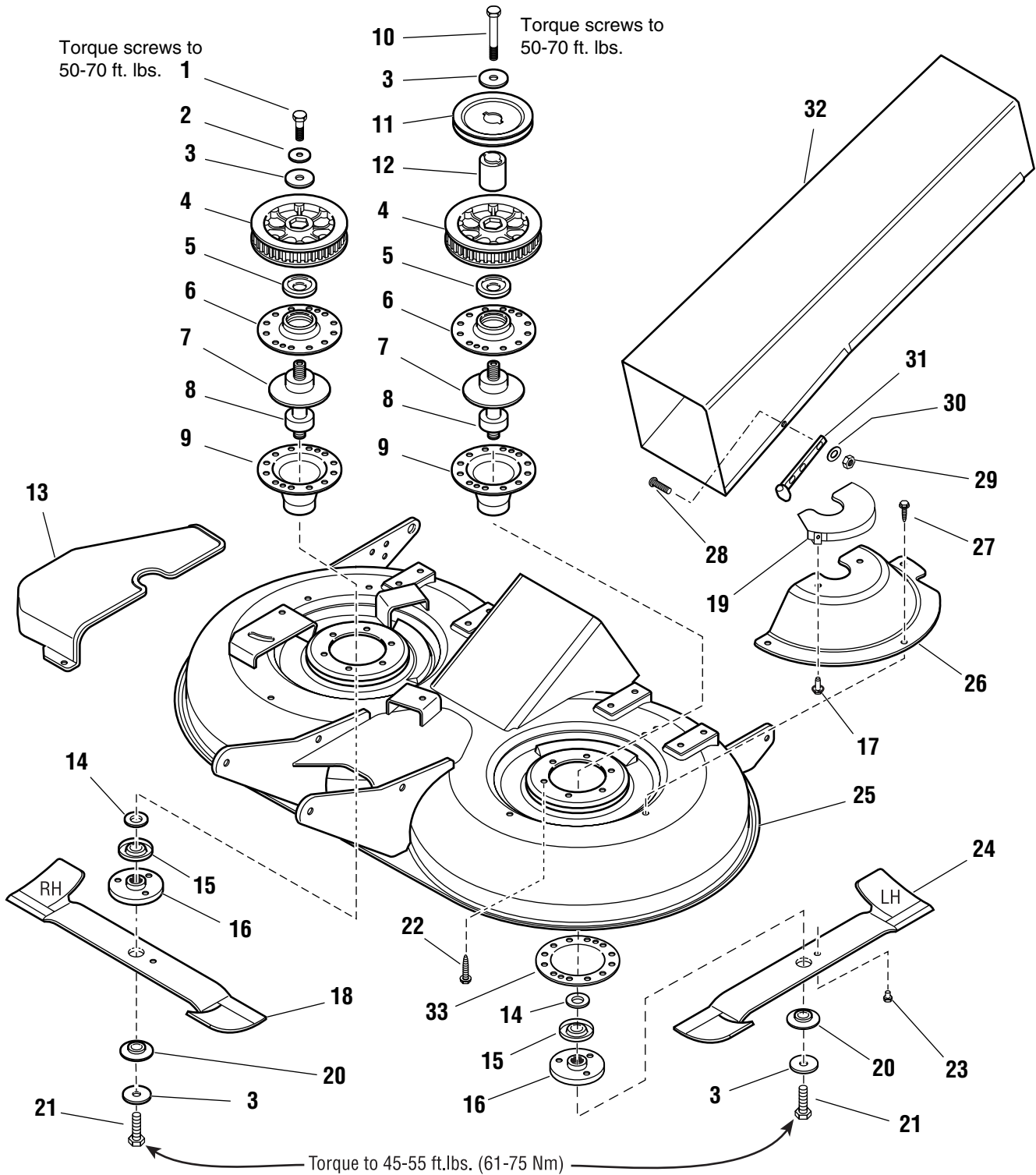
Footnotes:

The above parts group applies to the following Mfg. Nos.:

- 1693554 40" Mower Deck
- 1693560 40" Mower Deck
- 1693585 40" Mower Deck
- 1693575 102 cm Mower Deck (Export)

40" (102 cm) Mower Deck – Housing Arbors & Blades (Serial No. 2000 - 2999)

NOTE: Unless noted otherwise, use the standard hardware torque specification chart.



The above parts group applies to the following Mfg. Nos.:

- 1693554 40" Mower Deck
- 1693560 40" Mower Deck
- 1693585 40" Mower Deck
- 1693575 102 cm Mower Deck (Export)

40" (102 cm) Mower Deck – Housing Arbors & Blades (Serial No. 2000 - 2999)

| REF NO. | PART NO. | QTY. | DESCRIPTION |
|---------|----------|------|---|
| 1 | 1936723 | 1 | CAPSCREW, Hex Head, 7/16-14 x 1-3/4 G8 |
| 2 | 1933263 | 1 | WASHER, 7/16 |
| 3 | 1656916 | 4 | WASHER, Spring, 1-3/4 |
| 4 | 1719766 | 2 | SPROCKET & FLANGE ASSEMBLY, Rivited |
| 5 | 1657969 | 2 | SHIELD, Bearing, Mower Arbor Upper |
| 6 | 1655729 | 2 | HOUSING, Arbor Top |
| 7 | 1707335 | 2 | GASKET, Foam |
| 8 | 1676278 | 2 | ARBOR SHAFT & BEARINGS ASSEMBLY |
| 9 | 1703273 | 2 | HOUSING, Arbor Bottom w/Lube Fitting |
| 10 | 1930585 | 1 | CAPSCREW, Hex Head, 7/16-14 x 3-1/2 G8 |
| 11 | 1713091 | 1 | PULLEY |
| 12 | 1719862 | 1 | HUB |
| 13 | 1721153 | 1 | COVER, Arbor RH |
| 14 | 1700230 | 2 | WASHER, Shim |
| 15 | 1700229 | 2 | SHIELD, Bearing, Mower Arbor Lower |
| 16 | 1655777 | 2 | ADAPTER, Blade 26, 30, 36, 42 & 48" |
| 17 | 1675044 | 4 | RIVET, Pop |
| 18 | 1719737 | 1 | BLADE, Mower RH 40 |
| 19 | 1721258 | 1 | GUARD ASSEMBLY |
| 20 | 1722257 | 2 | WASHER, Spline |
| 21 | 923471 | 2 | CAPSCREW, Hex Head, 7/16-14 x 1-1/4 G8 |
| 22 | 1960373 | 12 | CAPSCREW, Hex Washer Head, Taptite, 5/16-18 x 1 |
| 23 | 1722258 | 2 | PIN, Blade |
| 24 | 1719736 | 1 | BLADE, Mower LH |
| 25 | 1686784 | 1 | HOUSING ASSEMBLY, 40" Mower, 2 Spindle, Orange |
| 25 | 41686784 | 1 | HOUSING ASSEMBLY, 40" Mower, 2 Spindle, Red |
| 26 | 1721254 | 1 | COVER, Arbor LH |
| 27 | 1924856 | 6 | CAPSCREW, Hex Washer Head, Taptite, 5/16-18 x 1/2 |
| 28 | 1960404 | 1 | CAPSCREW, Truss Head, Phillips, #10-24 x 3/4 |
| 29 | 1933896 | 1 | NUT, Hex Nylock , 10-24 |
| 30 | 1960096 | 3 | WASHER, 3/16 |
| 31 | 171600 | 1 | STRAP, Hood, Black Rubber, 4.8" Long |
| 32 | 1686817 | 1 | TUBE ASSEMBLY, Top & Bottom Rear |
| 33 | 1677247 | 2 | ARBOR ADAPTER |

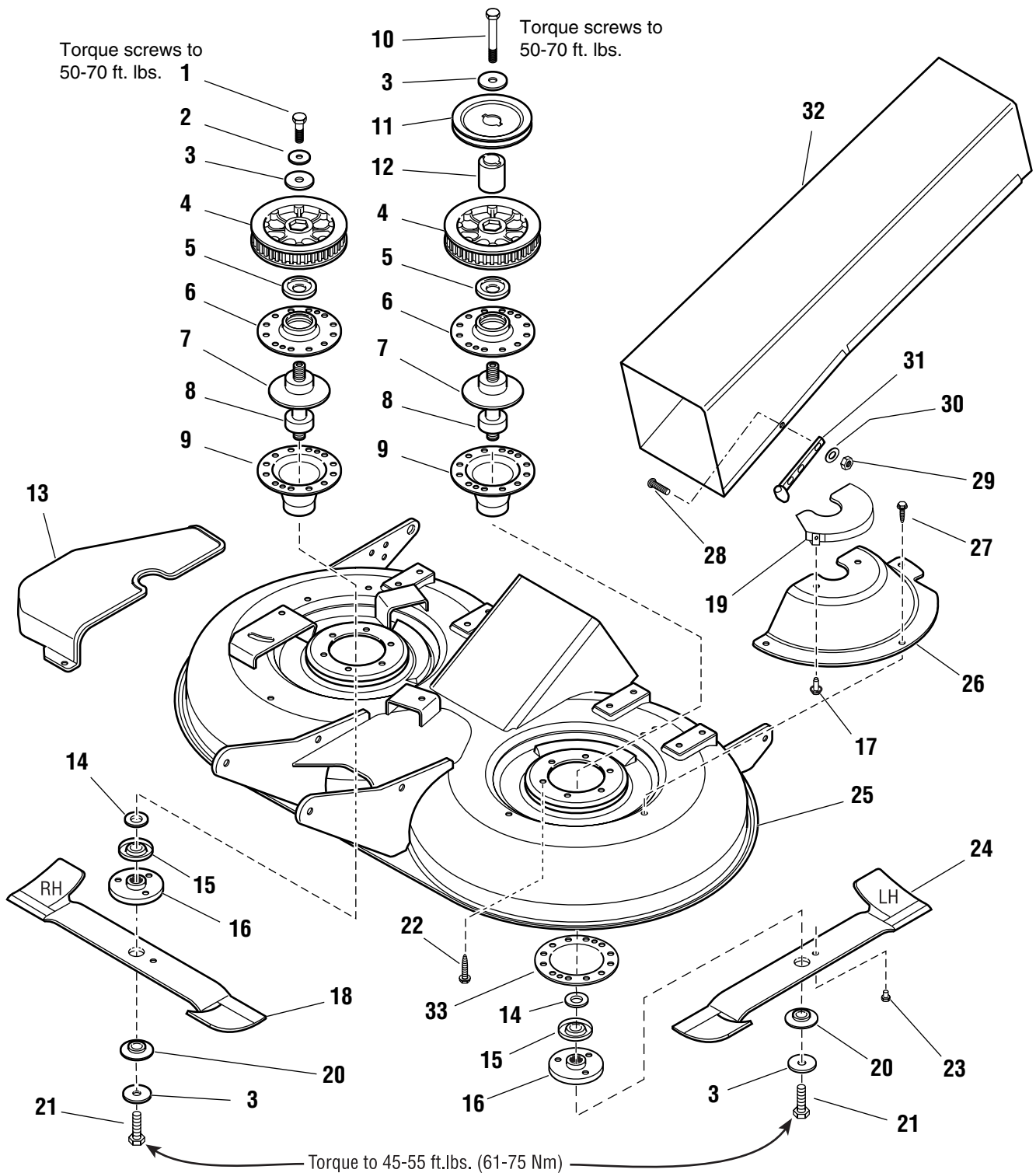
Footnotes:

The above parts group applies to the following Mfg. Nos.:

- 1693554 40" Mower Deck
- 1693560 40" Mower Deck
- 1693585 40" Mower Deck
- 1693575 102 cm Mower Deck (Export)

40" (102 cm) Mower Deck – Housing Arbors & Blades (Serial No. 3000 - and above)

NOTE: Unless noted otherwise, use the standard hardware torque specification chart.



The above parts group applies to the following Mfg. Nos.:

- 1693554 40" Mower Deck
- 1693560 40" Mower Deck
- 1693585 40" Mower Deck
- 1693575 102 cm Mower Deck (Export)

40" (102 cm) Mower Deck – Housing Arbors & Blades (Serial No. 3000 - and above)

| REF NO. | PART NO. | QTY. | DESCRIPTION |
|---------|----------|------|---|
| 1 | 1930584 | 1 | CAPSCREW, Hex Head, 7/16-14 x 2-3/4 G8 |
| 2 | 1933263 | 1 | WASHER, 7/16 |
| 3 | 1656916 | 4 | WASHER, Spring, 1-3/4 |
| 4 | 1719766 | 2 | SPROCKET & FLANGE ASSEMBLY, Rivited |
| 5 | 1657969 | 2 | SHIELD, Bearing, Mower Arbor Upper |
| 6 | 1655729 | 2 | HOUSING, Arbor Top |
| 7 | 1707335 | 2 | GASKET, Foam |
| 8 | 1722396 | 2 | ARBOR SHAFT & BEARINGS ASSEMBLY |
| 9 | 1703273 | 2 | HOUSING, Arbor Bottom w/Lube Fitting |
| 10 | 960644 | 1 | CAPSCREW, Hex Head, 7/16-14 x 4-1/2 G8 |
| 11 | 1713091 | 1 | PULLEY |
| 12 | 1719862 | 1 | HUB |
| 13 | 1721153 | 1 | COVER, Arbor RH |
| 14 | 1700230 | 2 | WASHER, Shim |
| 15 | 1700229 | 2 | SHIELD, Bearing, Mower Arbor Lower |
| 16 | 1655777 | 2 | ADAPTER, Blade 26, 30, 36, 42 & 48 |
| 17 | 1675044 | 4 | RIVET, Pop |
| 18 | 1719737 | 1 | BLADE, Mower RH |
| 19 | 1721258 | 1 | GUARD ASSEMBLY |
| 20 | 1722257 | 2 | WASHER, Spline |
| 21 | 927120 | 2 | CAPSCREW, Hex Head, 7/16-14 x 2-1/4 G8 |
| 22 | 1960373 | 12 | CAPSCREW, Hex Washer Head, Taptite, 5/16-18 x 1 |
| 23 | 1722258 | 2 | PIN, Blade |
| 24 | 1719736 | 1 | BLADE, Mower LH |
| 25 | 1686784 | 1 | HOUSING ASSEMBLY, 40" Mower, 2 Spindle, Orange |
| 25 | 41686784 | 1 | HOUSING ASSEMBLY, 40" Mower, 2 Spindle, Red |
| 26 | 1721254 | 1 | COVER, Arbor LH |
| 27 | 1924856 | 6 | CAPSCREW, Hex Washer Head, Taptite, 5/16-18 x 1/2 |
| 28 | 1960404 | 1 | CAPSCREW, Truss Head, Phillips, #10-24 x 3/4 |
| 29 | 1933896 | 1 | NUT, Hex Nylock, 10-24 |
| 30 | 1960096 | 3 | WASHER, 3/16 |
| 31 | 171600 | 1 | STRAP, Hood, Black Rubber, 4.8" Long |
| 32 | 1686817 | 1 | TUBE ASSEMBLY, Top & Bottom Rear |
| 33 | 1677247 | 2 | ARBOR ADAPTOR |

Footnotes:

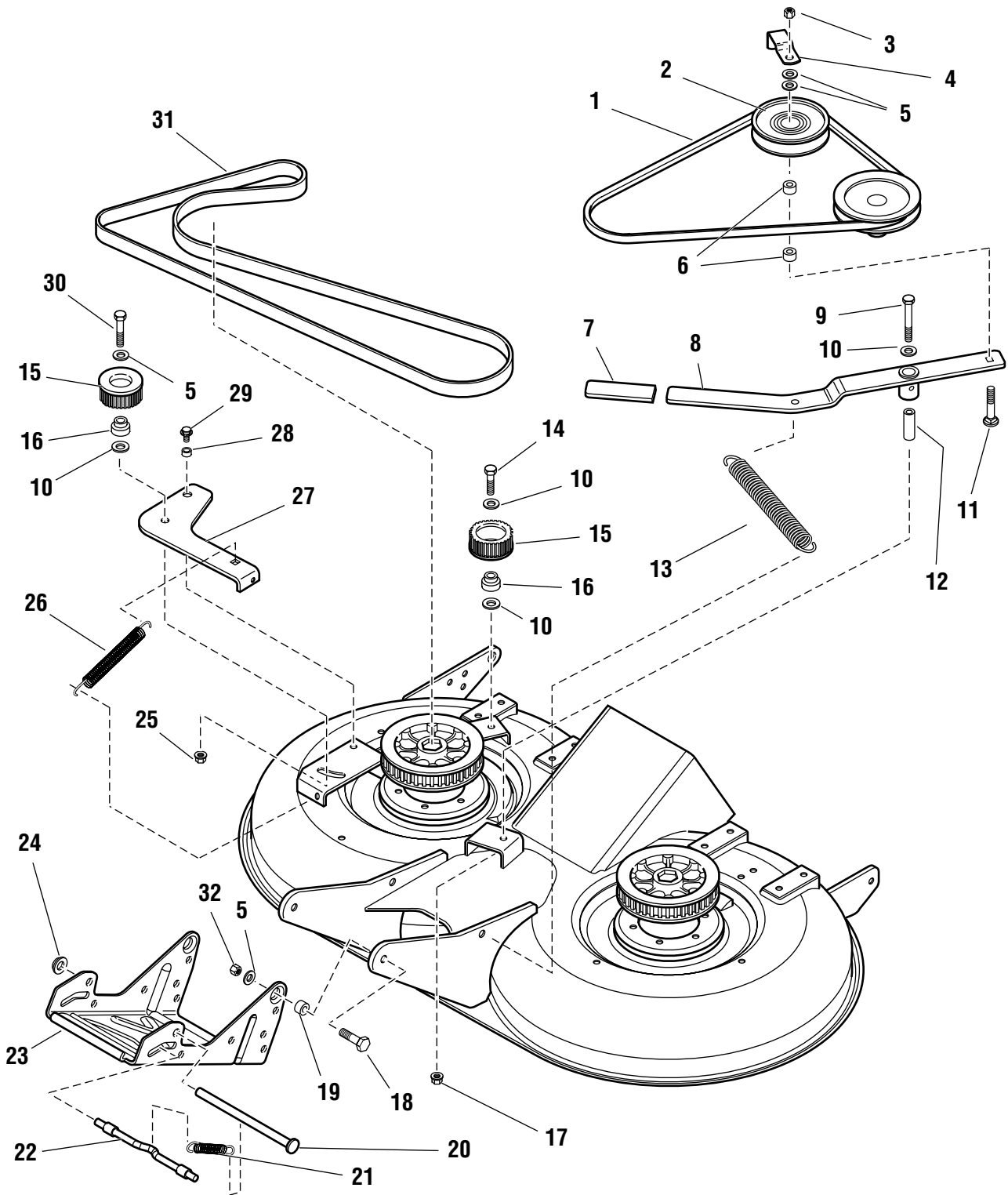
The above parts group applies to the following Mfg. Nos.:

- 1693554 40" Mower Deck
- 1693560 40" Mower Deck
- 1693585 40" Mower Deck
- 1693575 102 cm Mower Deck (Export)

40" (102 cm) Mower Deck – Belt, Clutch & Support (Serial No. 0001 - 1999)

985541

NOTE: Unless noted otherwise,
use the standard hardware torque
specification chart.



The above parts group applies to the following Mfg. Nos.:

- 1693554 40" Mower Deck
- 1693560 40" Mower Deck
- 1693585 40" Mower Deck
- 1693575 102 cm Mower Deck (Export)

40" (102 cm) Mower Deck – Belt, Clutch & Support (Serial No. 0001 - 1999)

| REF NO. | PART NO. | QTY. | DESCRIPTION |
|---------|----------|------|---|
| 1 | 1721533 | 1 | V-BELT, Mower Drive, PTO |
| 2 | 101096 | 1 | PULLEY |
| 3 | 1919439 | 2 | NUT, Hex Lock ESNA Light, 3/8-16 |
| 4 | 1719842 | 1 | STOP, Belt |
| 5 | 1924940 | 5 | WASHER, 3/8 |
| 6 | 157081 | 2 | SPACER |
| 7 | 1719965 | 1 | GRIP, Black Vinyl |
| 8 | 1720444 | 1 | ARM ASSEMBLY, Idler w/Bushings & Lube |
| 9 | 1928957 | 1 | CAPSCREW, Hex Head, 3/8-16 x 2-3/4 G8 |
| 10 | 1922755 | 6 | WASHER, 3/8 |
| 11 | 1960615 | 1 | CARRIAGE BOLT, 3/8-16 x 2-1/2 |
| 12 | 1657242 | 1 | SPACER |
| 13 | 1715435 | 1 | SPRING, Extension |
| 14 | 1921971 | 1 | CAPSCREW, Hex Head, 3/8-16 x 1-3/4 |
| 15 | 1719562 | 2 | PULLEY, Idler 22 Teeth |
| 16 | 1719221 | 2 | HUB |
| 17 | 1928352 | 1 | NUT, Hex Flange Whizlock, 3/8-16 |
| 18 | 1921969 | 2 | CAPSCREW, Hex Head, 3/8-16 x 1-1/2 |
| 19 | 172329 | 2 | SPACER |
| 20 | 1713578 | 1 | ROD, Mower Hitch |
| 21 | 156302 | 1 | SPRING, Extension |
| 22 | 1715759 | 1 | ROD |
| 23 | 1720044 | 1 | HITCH, Mower |
| 24 | 1960519 | 1 | NUT, Push On |
| 25 | 1721425 | 1 | WASHER & LOCK NUT ASSEMBLY, 3/8-16 |
| 26 | 1674671 | 1 | SPRING, Extension |
| 27 | 1719923 | 1 | ARM, Idler |
| 28 | 1666697 | 1 | SPACER |
| 29 | 1930601 | 1 | CAPSCREW, Hex Washer Head, Taptite, 5/16-18 x 1/2 |
| 30 | 1923701 | 1 | CAPSCREW, Hex Head, 3/8-16 x 2 |
| 31 | 1721117 | 1 | BELT, Timing, Arbor Drive |
| 32 | 1922694 | 2 | NUT, Hex Lock ESNA Heavy, 3/8-16 |

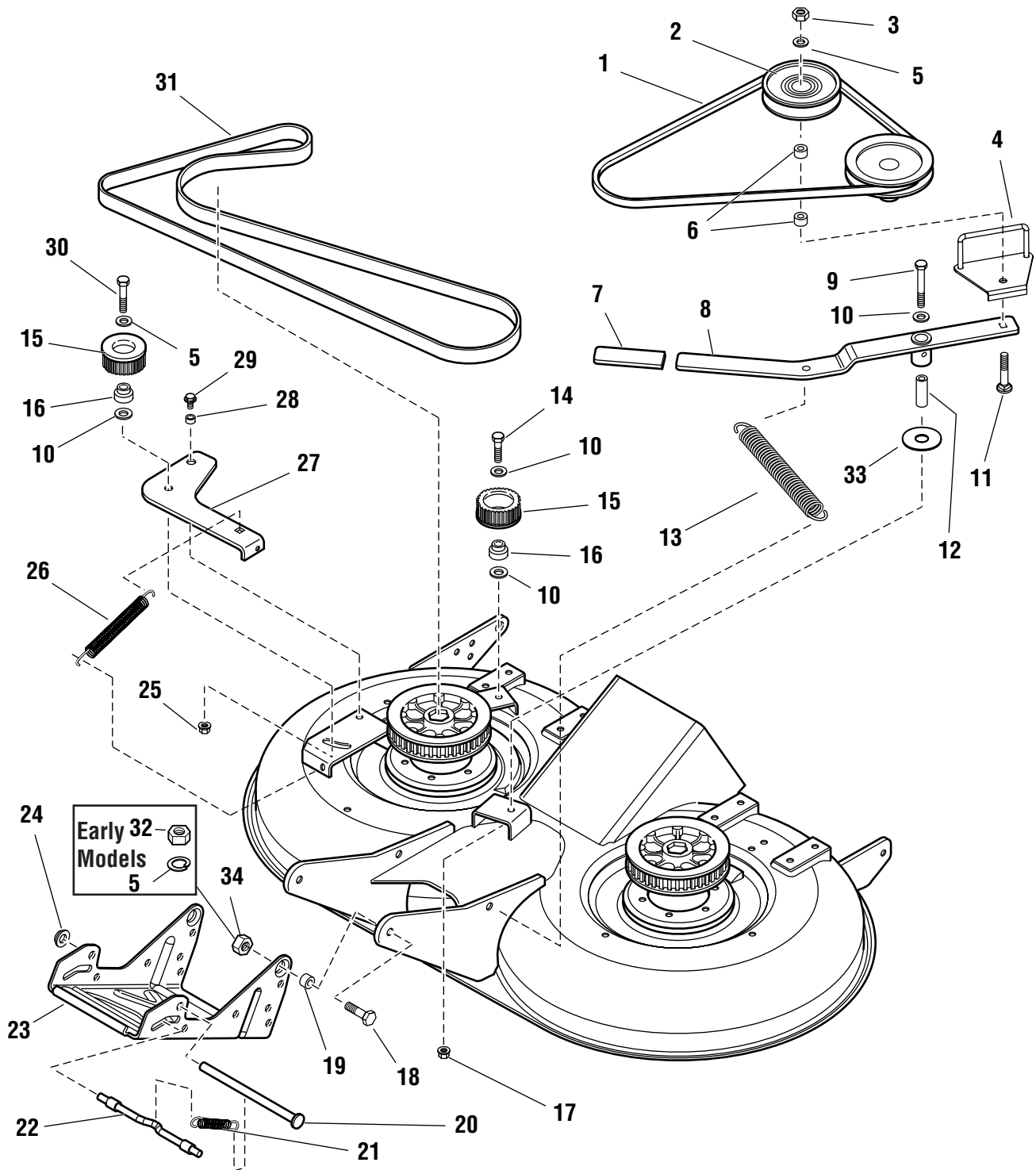
Footnotes:

The above parts group applies to the following Mfg. Nos.:

- 1693554 40" Mower Deck
- 1693560 40" Mower Deck
- 1693585 40" Mower Deck
- 1693575 102 cm Mower Deck (Export)

40" (102 cm) Mower Deck – Belt, Clutch & Support (Serial No. 2000 - and above)

NOTE: Unless noted otherwise,
use the standard hardware torque
specification chart.



The above parts group applies to the following Mfg. Nos.:

- 1693554 40" Mower Deck
- 1693560 40" Mower Deck
- 1693585 40" Mower Deck
- 1693575 102 cm Mower Deck (Export)

40" (102 cm) Mower Deck – Belt, Clutch & Support (Serial No. 2000 - and above)

| REF NO. | PART NO. | QTY. | DESCRIPTION |
|---------|----------|------|---|
| 1 | 1721533 | 1 | V-BELT, Mower Drive, PTO |
| 2 | 101096 | 1 | PULLEY |
| 3 | 1919439 | 2 | NUT, Hex Lock ESNA Light, 3/8-16 |
| 4 | 1722175 | 1 | STOP, Belt |
| 5 | 1924940 | 4 | WASHER, 3/8 |
| 6 | 157081 | 2 | SPACER |
| 7 | 1719965 | 1 | GRIP, Black Vinyl |
| 8 | 1720444 | 1 | ARM ASSEMBLY, Idler w/Bushings & Lube |
| 9 | 1960614 | 1 | CAPSCREW, Hex Head, 3/8-16 x 2-3/4 G8 |
| 10 | 1922755 | 6 | WASHER, 3/8 |
| 11 | 1960615 | 1 | CARRIAGE BOLT, 3/8-16 x 2-1/2 |
| 12 | 1657242 | 1 | SPACER |
| 13 | 1715435 | 1 | SPRING, Extension |
| 14 | 1921971 | 1 | CAPSCREW, Hex Head, 3/8-16 x 1-3/4 |
| 15 | 1719562 | 2 | PULLEY, Idler 22 Teeth |
| 16 | 1719221 | 2 | HUB |
| 17 | 1928352 | 1 | NUT, Hex Flange Whizlock, 3/8-16 |
| 18 | 1921969 | 2 | CAPSCREW, Hex Head, 3/8-16 x 1-1/2 |
| 19 | 172329 | 2 | SPACER |
| 20 | 1713578 | 1 | ROD, Mower Hitch |
| 21 | 156302 | 1 | SPRING, Extension |
| 22 | 1715759 | 1 | ROD |
| 23 | 1720044 | 1 | HITCH, Mower |
| 24 | 1960519 | 1 | NUT, Push On |
| 25 | 1721425 | 1 | WASHER & LOCK NUT ASSEMBLY, 3/8-16 |
| 26 | 1674671 | 1 | SPRING, Extension |
| 27 | 1719923 | 1 | ARM, Idler |
| 28 | 1666697 | 1 | SPACER |
| 29 | 1930601 | 1 | CAPSCREW, Hex Washer Head, Taptite, 5/16-18 x 1/2 |
| 30 | 1923701 | 1 | CAPSCREW, Hex Head, 3/8-16 x 2 |
| 31 | 1721117 | 1 | BELT, Timing, Arbor Drive |
| 32 | 1922694 | 2 | NUT, Hex Lock ESNA Heavy, 3/8-16 |
| 33 | 1933263 | 1 | WASHER |
| 34 | 960641 | 2 | NUT, Hex Lock Alum Insert, 3/8-16 (SN 2000 and above) |

Footnotes:

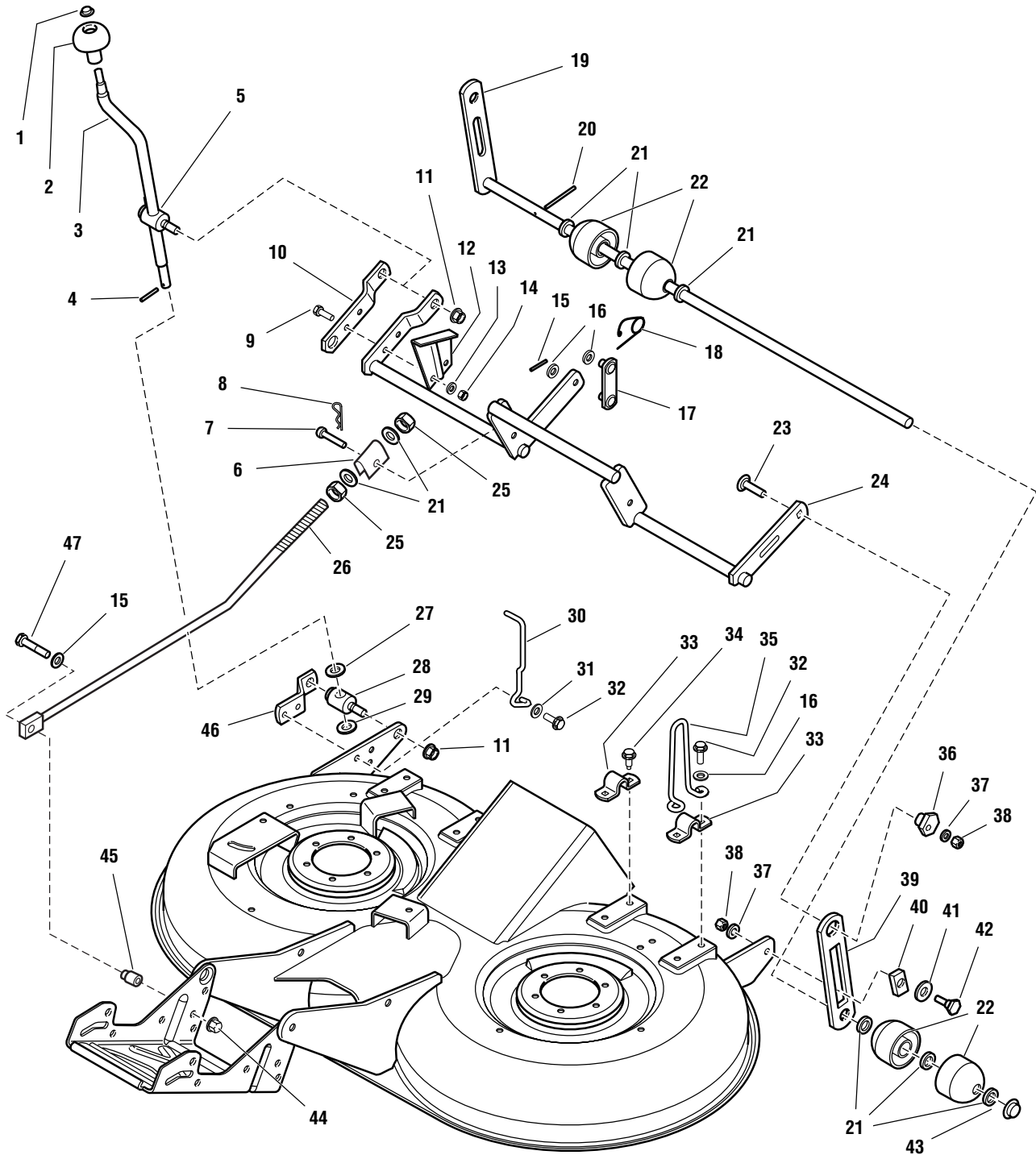
The above parts group applies to the following Mfg. Nos.:

1693554 40" Mower Deck
1693560 40" Mower Deck
1693585 40" Mower Deck
1693575 102 cm Mower Deck (Export)

40" (102 cm) Mower Deck – Height Adjustment & Rollers - (Early Models)

985540SN1-100

NOTE: Unless noted otherwise,
use the standard hardware torque
specification chart.



The above parts group applies to the following Mfg. Nos.:

1693585 40" Mower Deck, S/N Range 1 to 186

1693575 102 cm Mower Deck (Export), S/N Range 1 to 374

40" (102 cm) Mower Deck – Height Adjustment & Rollers - (Early Models)

| REF NO. | PART NO. | QTY. | DESCRIPTION |
|---------|----------|------|--|
| 1 | 1960093 | 1 | PAL NUT |
| 2 | 1714084 | 1 | KNOB, Spinner |
| 3 | 1719901 | 1 | CRANK, Height Adjust |
| 4 | 916001 | 1 | PIN, Spring |
| 5 | 1704087 | 1 | TRUNNION, Rod |
| 6 | 1706645 | 1 | TRUNNION, Bracket |
| 7 | 118053 | 1 | PIN, Round Head, Drilled, 3/8 x 2 |
| 8 | 1960074 | 1 | CLIP, Hair Pin |
| 9 | 1926149 | 2 | CAPSCREW, Hex Head, 5/16-18 x 1 G8 |
| 10 | 1704083 | 1 | ARM, Rear Adjustable |
| 11 | 1930644 | 2 | NUT, Hex FlangeTwo-Way Lock, 1/2-13 |
| 12 | 1704116 | 1 | BRACKET, Height of Cut |
| 13 | 1917356 | 2 | LOCKWASHER, 5/16 |
| 14 | 1917372 | 2 | NUT, Hex, 5/16-18 |
| 15 | 1918448 | 1 | PIN, Cotter |
| 16 | 1924940 | 5 | WASHER, 3/8 |
| 17 | 1705049 | 1 | LINK & WELD PINS ASSEMBLY, Lower Lift |
| 18 | 176012 | 1 | RETAINER, Pin, Spring |
| 19 | 1719543 | 1 | SHAFT & BAR ASSEMBLY, Roller |
| 20 | 1923500 | 1 | PIN, Cotter |
| 21 | 1924366 | 14 | WASHER, 5/8 |
| 22 | 1717675 | 6 | ROLLER |
| 23 | 1931352 | 1 | CARRIAGE BOLT, 3/8-16 x 1-1/2 |
| 24 | 1719180 | 1 | SHAFT & ARMS ASSEMBLY, 40" Rear |
| 25 | 1915726 | 2 | NUT, Hex, 5/8-11 |
| 26 | 1719261 | 1 | ROD, Adjustment |
| 27 | 1960170 | 1 | WASHER, 1/2 |
| 28 | 1704086 | 1 | TRUNNION, Threaded |
| 29 | 1704097 | 1 | WASHER, Detent |
| 30 | 1719208 | 1 | INDICATOR, Height of Cut |
| 31 | 1919326 | 1 | WASHER, 5/16 |
| 32 | 1960373 | 4 | SCREW, Hex Washer Head, Taptite, 5/16-18 x 1 |
| 33 | 1665374 | 4 | STRAP, Roller Support |
| 34 | 1664847 | 6 | SCREW, Hex Washer Head, Taptite, 5/16-18 x 3/4 |
| 35 | 1719929 | 2 | STOP, Up Wire |
| 36 | 1704082 | 1 | NUT, Hex Adjusting |
| 37 | 1916965 | 2 | LOCKWASHER, 3/4 |
| 38 | 1916950 | 2 | NUT, Hex, 3/8-16 |
| 39 | 1704073 | 1 | BAR, Roller |
| 40 | 1677507 | 1 | SLIDE, Roller |
| 41 | 1924361 | 1 | WASHER, 1/2 |
| 42 | 172622 | 1 | BOLT, Shoulder, 3/8-16 |
| 43 | 1960520 | 1 | NUT, Push On |
| 44 | 1922694 | 1 | NUT, Hex lock ESNA Heavy, 3/8 |
| 45 | 1706644 | 1 | SPACER |
| 46 | 1704077 | 1 | STRAP, Trunnion Retainer |
| 47 | 1922606 | 1 | CAPSCREW, Hex Head, 3/8-16 x 1-3/4 G8 |

Footnotes:

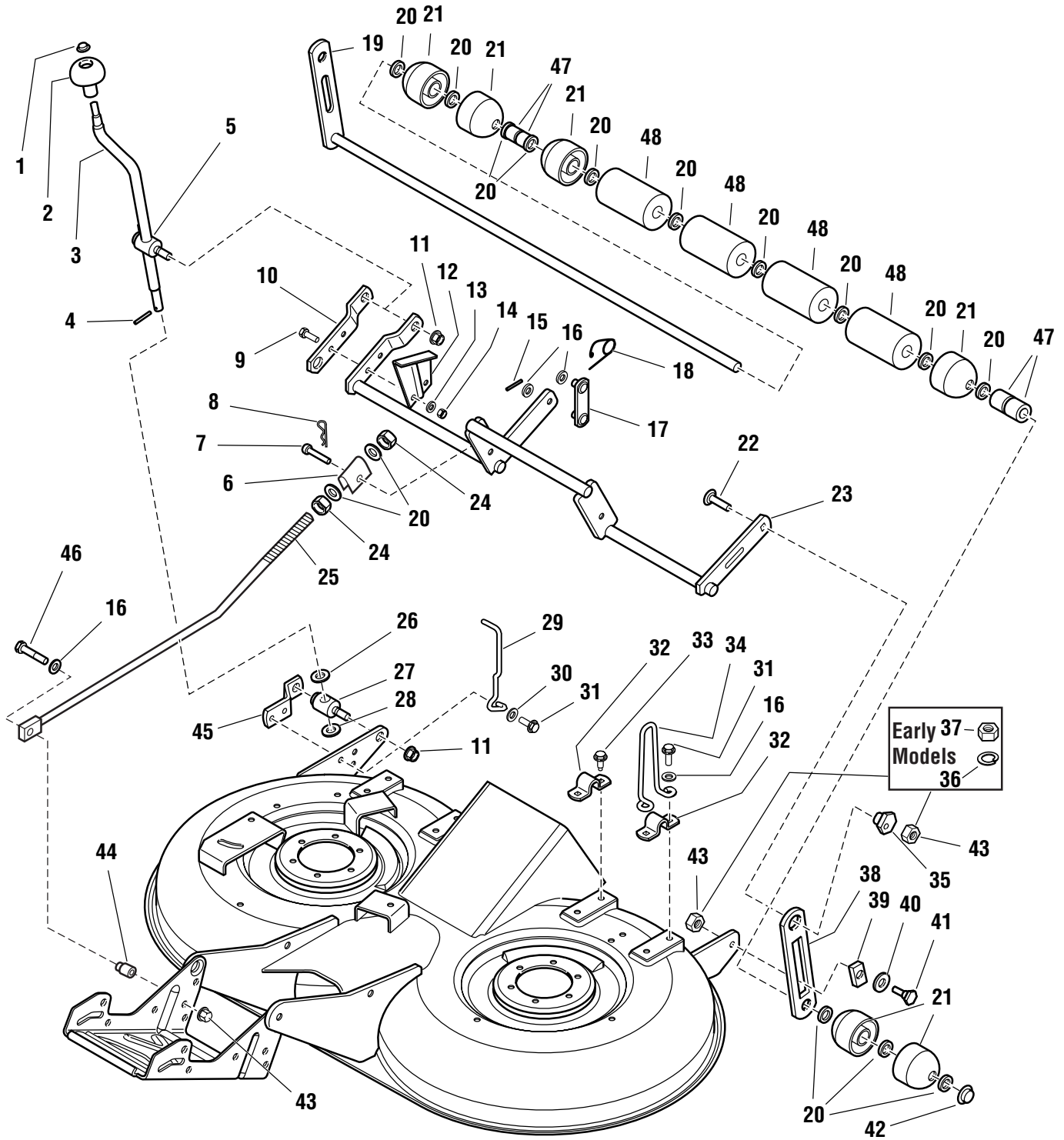
The above parts group applies to the following Mfg. Nos.:

1693585 40" Mower Deck, S/N Range 1 to 186

1693575 102 cm Mower Deck (Export), S/N Range 1 to 374

40" (102 cm) Mower Deck – Height Adjustment & Rollers - (Later Models)

NOTE: Unless noted otherwise, use the standard hardware torque specification chart.



The above parts group applies to the following Mfg. Nos.:

- 1693554 40" Mower Deck
- 1693560 40" Mower Deck
- 1693585 40" Mower Deck, **S/N Range 186 and up**
- 1693575 102 cm Mower Deck (Export), **S/N Range 374 and up**

40" (102 cm) Mower Deck – Height Adjustment & Rollers - (Later Models)

| REF NO. | PART NO. | QTY. | DESCRIPTION |
|---------|----------|------|---|
| 1 | 1960093 | 1 | PAL NUT |
| 2 | 1714084 | 1 | KNOB, Spinner |
| 3 | 1719901 | 1 | CRANK, Height Adjust |
| 4 | 916001 | 1 | PIN, Spring |
| 5 | 1704087 | 1 | TRUNNION, Rod |
| 6 | 1706645 | 1 | TRUNNION, Bracket |
| 7 | 118053 | 1 | PIN, Round Head, Drilled, 3/8 x 2 |
| 8 | 1960074 | 1 | CLIP, Hair Pin |
| 9 | 1926149 | 2 | CAPSCREW, Hex Head, 5/16-18 x 1 G8 |
| 10 | 1704083 | 1 | ARM, Rear Adjustable |
| 11 | 1930644 | 2 | NUT, Hex Flagne Two-Way Lock, 1/2-13 |
| 12 | 1704116 | 1 | BRACKET, Height of Cut |
| 13 | 1917356 | 2 | LOCKWASHER, 5/16 |
| 14 | 1917372 | 2 | NUT, Hex, 5/16-18 |
| 15 | 1918448 | 1 | PIN, Cotter |
| 16 | 1924940 | 5 | WASHER, 3/8 |
| 17 | 1705049 | 1 | LINK & WELD PINS ASSEMBLY, Lower Lift |
| 18 | 176012 | 1 | RETAINER, Pin, Spring |
| 19 | 1686686 | 1 | SHAFT & BAR ASSEMBLY, Roller |
| 20 | 1924366 | 15 | WASHER, 5/8 |
| 21 | 1717675 | 5 | ROLLER |
| 22 | 1931352 | 1 | CARRIAGE BOLT, 3/8-16 x 1-1/2 |
| 23 | 1719180 | 1 | SHAFT & ARMS ASSEMBLY, 40" Rear |
| 24 | 1915726 | 2 | NUT, Hex, 5/8-11 |
| 25 | 1719261 | 1 | ROD, Adjustment |
| 26 | 1960170 | 1 | WASHER, 1/2 |
| 27 | 1704086 | 1 | TRUNNION, Threaded |
| 28 | 1704097 | 1 | WASHER, Detent |
| 29 | 1719208 | 1 | INDICATOR, Height of Cut |
| 30 | 1919326 | 1 | WASHER, 5/16 |
| 31 | 1919381 | 4 | CAPSCREW, Hex Washer Head, Taptite, 5/16-18 x 1 |
| 32 | 1665374 | 4 | STRAP, Roller Support |
| 33 | 1664847 | 6 | CAPSCREW, Hex Washer Head, Taptite, 5/16-18 x 3/4 |
| 34 | 1719929 | 2 | STOP, Up Wire |
| 35 | 1704082 | 1 | NUT, Hex Adjusting |
| 36 | 1916965 | 2 | LOCKWASHER, 3/4 (Early Models) |
| 37 | 1916950 | 2 | NUT, Hex, 3/8-16 (Early Models) |
| 38 | 1704073 | 1 | BAR, Roller |
| 39 | 1677507 | 1 | SLIDE, Roller |
| 40 | 1924361 | 1 | WASHER, 1/2 |
| 41 | 172622 | 1 | BOLT, Shoulder, 3/8-16 |
| 42 | 1960520 | 1 | NUT, Push On |
| 43 | 960641 | 3 | NUT, Hex Lock Alum Insert, 3/8-16 (Later Models) |
| 44 | 1706644 | 1 | SPACER |
| 45 | 1704077 | 1 | STRAP, Trunnion Retainer |
| 46 | 1922606 | 1 | CAPSCREW, Hex Head, 3/8-16 x 1-3/4 G8 |
| 47 | 1709195 | 4 | SPACER |
| 48 | 1668513 | 4 | ROLLER |

Footnotes:

The above parts group applies to the following Mfg. Nos.:

- 1693554 40" Mower Deck
- 1693560 40" Mower Deck
- 1693585 40" Mower Deck, **S/N Range 186 and up**
- 1693575 102 cm Mower Deck (Export), **S/N Range 374 and up**

Part Number Index by Page Number

| Part No. | Page No | Ref No. | Part No. | Page No | Ref No. | Part No. | Page No | Ref No. | Part No. | Page No | Ref No. | Part No. | Page No | Ref No. |
|----------|---------|---------|----------|---------|---------|----------|---------|---------|----------|---------|---------|----------|---------|---------|
| * | 6 | 9 | 927794 | 28 | 20 | 1676130 | 26 | 5 | 1704087 | 46 | 5 | 1708361 | 20 | 31 |
| * | 10 | 76 | 930598 | 6 | 17 | 1676183 | 6 | 31 | 1704097 | 44 | 29 | 1708649 | 10 | 16 |
| * | 10 | 77 | 930598 | 24 | 22 | 1676278 | 34 | 8 | 1704097 | 46 | 28 | 1708650 | 10 | 13 |
| * | 10 | 78 | 930670 | 4 | 36 | 1676278 | 36 | 8 | 1704108 | 20 | 24 | 1708651 | 10 | 12 |
| * | 10 | 79 | 932747 | 24 | 2 | 1676519 | 28 | 10 | 1704112 | 26 | 28 | 1708653 | 10 | 17 |
| * | 32 | 16 | 934683 | 6 | 1 | 1676519 | 28 | 21 | 1704116 | 44 | 12 | 1708667 | 10 | 21 |
| 101025 | 26 | 33 | 960112 | 6 | 10 | 1677247 | 36 | 33 | 1704116 | 46 | 12 | 1708673 | 10 | 24 |
| 101096 | 40 | 2 | 960202 | 28 | 13 | 1677247 | 38 | 33 | 1704299 | 20 | 13 | 1708689 | 10 | 53 |
| 101096 | 42 | 2 | 960530 | 2 | 30 | 1677296 | 26 | 21 | 1704311 | 2 | 26 | 1708691 | 10 | 9 |
| 105337 | 6 | 22 | 960641 | 42 | 34 | 1677370 | 18 | 40 | 1704314 | 2 | 31 | 1708692 | 10 | 50 |
| 106681 | 8 | 26 | 960641 | 46 | 43 | 1677371 | 18 | 37 | 1704349 | 26 | 27 | 1708764 | 6 | 15 |
| 118053 | 44 | 7 | 960644 | 38 | 10 | 1677507 | 44 | 40 | 1704351 | 2 | 23 | 1708927 | 30 | 2 |
| 118053 | 46 | 7 | 1603618 | 26 | 17 | 1677507 | 46 | 39 | 1704357 | 6 | 33 | 1708927 | 32 | 2 |
| 122023 | 24 | 16 | 1611705 | 4 | 27 | 1679385 | 2 | 28 | 1704379 | 24 | 13 | 1709188 | 18 | 7 |
| 156302 | 40 | 21 | 1611710 | 28 | 9 | 1685215 | 26 | 26 | 1704419 | 6 | 18 | 1709195 | 46 | 47 |
| 156302 | 42 | 21 | 1612103 | 26 | 29 | 1685290 | 26 | 11 | 1704420 | 4 | 30 | 1709238 | 18 | 21 |
| 157081 | 40 | 6 | 1654930 | 20 | 23 | 1685478 | 4 | 24 | 1704420 | 14 | 29 | 1709256 | 20 | 17 |
| 157081 | 42 | 6 | 1655729 | 34 | 6 | 1686686 | 46 | 19 | 1704425 | 16 | 10 | 1709307 | 20 | 2 |
| 158399 | 16 | 21 | 1655729 | 36 | 6 | 1686734 | 26 | 3 | 1704614 | 26 | 32 | 1709308 | 20 | 14 |
| 171600 | 18 | 25 | 1655729 | 38 | 6 | 1686784 | 34 | 25 | 1704623 | 16 | 7 | 1709856 | 28 | 11 |
| 171600 | 34 | 31 | 1655777 | 34 | 16 | 1686784 | 36 | 25 | 1704626 | 18 | 31 | 1709950 | 14 | 41 |
| 171600 | 36 | 31 | 1655777 | 36 | 16 | 1686784 | 38 | 25 | 1704628 | 18 | 32 | 1713091 | 34 | 11 |
| 171600 | 38 | 31 | 1655777 | 38 | 16 | 1686817 | 34 | 32 | 1704629 | 14 | 12 | 1713091 | 36 | 11 |
| 172329 | 40 | 19 | 1656916 | 34 | 3 | 1686817 | 36 | 32 | 1704632 | 26 | 23 | 1713091 | 38 | 11 |
| 172329 | 42 | 19 | 1656916 | 36 | 3 | 1686817 | 38 | 32 | 1704723 | 20 | 38 | 1713163 | 24 | 19 |
| 172353 | 28 | 5 | 1656916 | 38 | 3 | 1700229 | 34 | 15 | 1704724 | 20 | 19 | 1713163 | 26 | 30 |
| 172353 | 28 | 18 | 1657242 | 40 | 12 | 1700229 | 36 | 15 | 1704728 | 20 | 36 | 1713166 | 28 | 2 |
| 172434 | 6 | 27 | 1657242 | 42 | 12 | 1700229 | 38 | 15 | 1704756 | 14 | 16 | 1713167 | 28 | 4 |
| 172434 | 20 | 4 | 1657528 | 34 | 17 | 1700230 | 34 | 14 | 1704878 | 18 | 34 | 1713170 | 28 | 15 |
| 172622 | 44 | 42 | 1657969 | 34 | 5 | 1700230 | 36 | 14 | 1704879 | 18 | 22 | 1713187 | 6 | 21 |
| 172622 | 46 | 41 | 1657969 | 36 | 5 | 1700230 | 38 | 14 | 1704927 | 18 | 15 | 1713447 | 2 | 14 |
| 173477 | 28 | 16 | 1657969 | 38 | 5 | 1701229 | 20 | 33 | 1705049 | 44 | 17 | 1713578 | 40 | 20 |
| 174561 | 8 | 12 | 1663114 | 14 | 1 | 1701229 | 24 | 6 | 1705049 | 46 | 17 | 1713578 | 42 | 20 |
| 174561 | 14 | 26 | 1663136 | 8 | 42 | 1701435 | 28 | 8 | 1705248 | 18 | 29 | 1713846 | 6 | 12 |
| 174896 | 16 | 18 | 1663752 | 20 | 7 | 1701435 | 28 | 19 | 1705249 | 18 | 28 | 1713855 | 16 | 11 |
| 176012 | 44 | 18 | 1664090 | 28 | 3 | 1702779 | 4 | 21 | 1705590 | 16 | 3 | 1714068 | 6 | 13 |
| 176012 | 46 | 18 | 1664847 | 34 | 22 | 1703240 | 18 | 1 | 1706553 | 8 | 37 | 1714084 | 44 | 2 |
| 176440 | 2 | 32 | 1664847 | 44 | 34 | 1703248 | 18 | 36 | 1706644 | 44 | 45 | 1714084 | 46 | 2 |
| 176440 | 4 | 11 | 1664847 | 46 | 33 | 1703249 | 18 | 38 | 1706644 | 46 | 44 | 1714255 | 8 | 36 |
| 176440 | 8 | 25 | 1665237 | 26 | 13 | 1703273 | 34 | 9 | 1706645 | 44 | 6 | 1714400 | 4 | 1 |
| 176440 | 16 | 9 | 1665238 | 26 | 12 | 1703273 | 36 | 9 | 1706645 | 46 | 6 | 1714441 | 20 | 37 |
| 176440 | 18 | 10 | 1665374 | 44 | 33 | 1703273 | 38 | 9 | 1706956 | 4 | 31 | 1714770 | 24 | 7 |
| 912808 | 28 | 6 | 1665374 | 46 | 32 | 1703475 | 2 | 33 | 1706996 | 4 | 32 | 1715025 | 16 | 16 |
| 916001 | 44 | 4 | 1666697 | 2 | 8 | 1703508 | 4 | 9 | 1706997 | 4 | 28 | 1715032 | 28 | 7 |
| 916001 | 46 | 4 | 1666697 | 8 | 44 | 1703513 | 4 | 14 | 1707137 | 20 | 16 | 1715308 | 4 | 25 |
| 916168 | 16 | 15 | 1666697 | 40 | 28 | 1703799 | 26 | 10 | 1707232 | 24 | 20 | 1715435 | 40 | 13 |
| 916622 | 24 | 17 | 1666697 | 42 | 28 | 1703900 | 8 | 4 | 1707334 | 6 | 3 | 1715435 | 42 | 13 |
| 916964 | 26 | 19 | 1667346 | 6 | 6 | 1703945 | 18 | 35 | 1707335 | 34 | 7 | 1715759 | 40 | 22 |
| 920426 | 26 | 15 | 1667811 | 14 | 25 | 1703946 | 18 | 39 | 1707335 | 36 | 7 | 1715759 | 42 | 22 |
| 920427 | 6 | 16 | 1668513 | 46 | 48 | 1704073 | 44 | 39 | 1707335 | 38 | 7 | 1715834 | 14 | 4 |
| 920427 | 14 | 10 | 1668819 | 24 | 18 | 1704073 | 46 | 38 | 1707471 | 20 | 28 | 1715835 | 14 | 5 |
| 920427 | 24 | 21 | 1668819 | 26 | 14 | 1704077 | 44 | 46 | 1707789 | 10 | 6 | 1715917 | 20 | 21 |
| 920594 | 26 | 22 | 1670675 | 18 | 20 | 1704077 | 46 | 45 | 1707839 | 10 | 15 | 1716128 | 18 | 27 |
| 921319 | 26 | 18 | 1673453 | 6 | 7 | 1704082 | 44 | 36 | 1707879 | 10 | 49 | 1716132 | 28 | 17 |
| 923341 | 26 | 25 | 1673796 | 4 | 16 | 1704082 | 46 | 35 | 1707912 | 10 | 47 | 1716332 | 26 | 6 |
| 923471 | 34 | 21 | 1674358 | 24 | 1 | 1704083 | 44 | 10 | 1708007 | 22 | 6 | 1717163 | 26 | 34 |
| 923471 | 36 | 21 | 1674671 | 40 | 26 | 1704083 | 46 | 10 | 1708084 | 4 | 23 | 1717186 | 14 | 43 |
| 925094 | 24 | 4 | 1674671 | 42 | 26 | 1704086 | 44 | 28 | 1708236 | 4 | 18 | 1717425 | 8 | 27 |
| 927120 | 38 | 21 | 1675044 | 36 | 17 | 1704086 | 46 | 27 | 1708264 | 6 | 26 | 1717451 | 28 | 14 |
| 927794 | 8 | 24 | 1675044 | 38 | 17 | 1704087 | 44 | 5 | 1708298 | 2 | 17 | 1717519 | 18 | 2 |

Part Number Index by Page Number

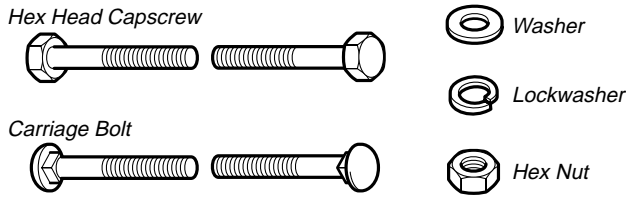
| Part No. | Page No | Ref No. | Part No. | Page No | Ref No. | Part No. | Page No | Ref No. | Part No. | Page No | Ref No. | Part No. | Page No | Ref No. |
|----------|---------|---------|----------|---------|---------|----------|---------|---------|----------|---------|---------|----------|---------|---------|
| 1717549 | 26 | 8 | 1718596 | 26 | 24 | 1719978 | 18 | 17 | 1720442 | 10 | 70 | 1721702 | 20 | 1 |
| 1717550 | 26 | 9 | 1718678 | 6 | 11 | 1719981 | 16 | 22 | 1720444 | 40 | 8 | 1721965 | 10 | 42 |
| 1717675 | 44 | 22 | 1718856 | 2 | 34 | 1719985 | 34 | 19 | 1720444 | 42 | 8 | 1721966 | 10 | 46 |
| 1717675 | 46 | 21 | 1718858 | 20 | 8 | 1719988 | 16 | 17 | 1720447 | 20 | 12 | 1721983 | 22 | 9 |
| 1717692 | 30 | 13 | 1718944 | 14 | 3 | 1719989 | 16 | 14 | 1720454 | 30 | 9 | 1721987 | 6 | 42 |
| 1717692 | 32 | 14 | 1719180 | 44 | 24 | 1719990 | 16 | 19 | 1720454 | 32 | 10 | 1722006 | 18 | 14 |
| 1717706 | 30 | 3 | 1719180 | 46 | 23 | 1719993 | 8 | 19 | 1720458 | 22 | 15 | 1722092 | 2 | 6 |
| 1717706 | 32 | 3 | 1719206 | 20 | 22 | 1719999 | 24 | 5 | 1720460 | 30 | 10 | 1722175 | 42 | 4 |
| 1717749 | 10 | 75 | 1719208 | 44 | 30 | 1719999 | 26 | 2 | 1720460 | 32 | 11 | 1722257 | 36 | 20 |
| 1717749 | 28 | 12 | 1719208 | 46 | 29 | 1720001 | 24 | 15 | 1720504 | 30 | 11 | 1722257 | 38 | 20 |
| 1717765 | 14 | 2 | 1719221 | 40 | 16 | 1720007 | 14 | 6 | 1720504 | 32 | 12 | 1722258 | 34 | 23 |
| 1717767 | 14 | 42 | 1719221 | 42 | 16 | 1720008 | 22 | 16 | 1720505 | 30 | 12 | 1722258 | 36 | 23 |
| 1717769 | 14 | 31 | 1719253 | 8 | 43 | 1720009 | 22 | 18 | 1720505 | 32 | 13 | 1722258 | 38 | 23 |
| 1717936 | 2 | 1 | 1719261 | 44 | 26 | 1720010 | 22 | 11 | 1720507 | 6 | 5 | 1722384 | 30 | 14 |
| 1717989 | 16 | 4 | 1719261 | 46 | 25 | 1720011 | 22 | 17 | 1720532 | 6 | 23 | 1722384 | 32 | 19 |
| 1718014 | 14 | 17 | 1719268 | 8 | 6 | 1720013 | 22 | 10 | 1720587 | 34 | 20 | 1722396 | 38 | 8 |
| 1718016 | 14 | 28 | 1719269 | 8 | 32 | 1720017 | 6 | 8 | 1720658 | 30 | 7 | 1722474 | 32 | 21 |
| 1718052 | 10 | 2 | 1719271 | 14 | 21 | 1720018 | 8 | 38 | 1720660 | 30 | 5 | 1722475 | 32 | 20 |
| 1718053 | 10 | 3 | 1719312 | 8 | 30 | 1720019 | 8 | 1 | 1720661 | 30 | 6 | 1915726 | 44 | 25 |
| 1718054 | 10 | 4 | 1719351 | 22 | 14 | 1720020 | 22 | 1 | 1720724 | 14 | 40 | 1915726 | 46 | 24 |
| 1718055 | 10 | 5 | 1719355 | 2 | 2 | 1720022 | 8 | 39 | 1720882 | 14 | 39 | 1916622 | 20 | 25 |
| 1718061 | 10 | 11 | 1719392 | 20 | 35 | 1720036 | 8 | 46 | 1721107 | 32 | 18 | 1916622 | 26 | 20 |
| 1718069 | 10 | 74 | 1719471 | 4 | 3 | 1720041 | 2 | 3 | 1721108 | 32 | 15 | 1916950 | 2 | 20 |
| 1718070 | 10 | 19 | 1719543 | 44 | 19 | 1720044 | 40 | 23 | 1721111 | 20 | 20 | 1916950 | 8 | 9 |
| 1718071 | 10 | 20 | 1719562 | 40 | 15 | 1720044 | 42 | 23 | 1721117 | 40 | 31 | 1916950 | 14 | 8 |
| 1718073 | 10 | 22 | 1719562 | 42 | 15 | 1720083 | 22 | 13 | 1721117 | 42 | 31 | 1916950 | 44 | 38 |
| 1718076 | 10 | 25 | 1719679 | 20 | 29 | 1720099 | 28 | 22 | 1721133 | 14 | 32 | 1916950 | 46 | 37 |
| 1718077 | 10 | 26 | 1719681 | 24 | 3 | 1720108 | 8 | 34 | 1721141 | 30 | 15 | 1916951 | 2 | 35 |
| 1718078 | 10 | 27 | 1719712 | 20 | 39 | 1720109 | 6 | 35 | 1721141 | 32 | 17 | 1916964 | 8 | 21 |
| 1718079 | 10 | 28 | 1719731 | 2 | 10 | 1720110 | 6 | 28 | 1721146 | 18 | 41 | 1916964 | 20 | 26 |
| 1718080 | 10 | 29 | 1719736 | 34 | 24 | 1720117 | 26 | 1 | 1721153 | 34 | 13 | 1916965 | 2 | 21 |
| 1718081 | 10 | 30 | 1719736 | 36 | 24 | 1720118 | 24 | 14 | 1721153 | 36 | 13 | 1916965 | 8 | 10 |
| 1718083 | 10 | 32 | 1719736 | 38 | 24 | 1720119 | 24 | 11 | 1721153 | 38 | 13 | 1916965 | 14 | 7 |
| 1718084 | 10 | 33 | 1719737 | 34 | 18 | 1720120 | 24 | 12 | 1721154 | 34 | 26 | 1916965 | 44 | 37 |
| 1718086 | 10 | 35 | 1719737 | 36 | 18 | 1720122 | 4 | 12 | 1721169 | 2 | 19 | 1916965 | 46 | 36 |
| 1718087 | 10 | 36 | 1719737 | 38 | 18 | 1720223 | 14 | 44 | 1721171 | 2 | 7 | 1917356 | 6 | 37 |
| 1718088 | 10 | 37 | 1719739 | 18 | 4 | 1720224 | 14 | 19 | 1721172 | 2 | 9 | 1917356 | 8 | 17 |
| 1718089 | 10 | 38 | 1719766 | 34 | 4 | 1720232 | 16 | 12 | 1721174 | 2 | 36 | 1917356 | 14 | 38 |
| 1718097 | 10 | 45 | 1719766 | 36 | 4 | 1720233 | 14 | 13 | 1721175 | 22 | 19 | 1917356 | 22 | 4 |
| 1718100 | 10 | 51 | 1719766 | 38 | 4 | 1720326 | 18 | 8 | 1721176 | 10 | 1 | 1917356 | 44 | 13 |
| 1718101 | 10 | 52 | 1719809 | 20 | 15 | 1720327 | 18 | 6 | 1721177 | 10 | 18 | 1917356 | 46 | 13 |
| 1718102 | 10 | 54 | 1719810 | 4 | 4 | 1720328 | 18 | 9 | 1721178 | 10 | 40 | 1917372 | 6 | 38 |
| 1718103 | 10 | 55 | 1719842 | 40 | 4 | 1720329 | 18 | 3 | 1721179 | 10 | 41 | 1917372 | 8 | 16 |
| 1718104 | 10 | 56 | 1719845 | 18 | 18 | 1720389 | 32 | 5 | 1721181 | 10 | 43 | 1917372 | 22 | 8 |
| 1718107 | 10 | 59 | 1719862 | 34 | 12 | 1720390 | 32 | 6 | 1721182 | 10 | 44 | 1917372 | 44 | 14 |
| 1718109 | 10 | 61 | 1719862 | 36 | 12 | 1720391 | 32 | 7 | 1721184 | 10 | 48 | 1917372 | 46 | 14 |
| 1718110 | 10 | 62 | 1719862 | 38 | 12 | 1720392 | 32 | 8 | 1721185 | 10 | 68 | 1918199 | 6 | 25 |
| 1718111 | 10 | 63 | 1719901 | 44 | 3 | 1720401 | 24 | 8 | 1721197 | 30 | 1 | 1918447 | 8 | 28 |
| 1718112 | 10 | 64 | 1719901 | 46 | 3 | 1720412 | 30 | 8 | 1721197 | 32 | 1 | 1918447 | 14 | 18 |
| 1718113 | 10 | 65 | 1719902 | 8 | 23 | 1720412 | 32 | 9 | 1721202 | 6 | 40 | 1918448 | 44 | 15 |
| 1718114 | 10 | 66 | 1719923 | 40 | 27 | 1720417 | 10 | 7 | 1721203 | 18 | 26 | 1918448 | 46 | 15 |
| 1718115 | 10 | 67 | 1719923 | 42 | 27 | 1720418 | 10 | 8 | 1721254 | 36 | 26 | 1919262 | 4 | 22 |
| 1718117 | 10 | 71 | 1719929 | 44 | 35 | 1720419 | 10 | 10 | 1721254 | 38 | 26 | 1919314 | 4 | 5 |
| 1718119 | 10 | 69 | 1719929 | 46 | 34 | 1720420 | 10 | 14 | 1721258 | 36 | 19 | 1919326 | 2 | 12 |
| 1718120 | 10 | 39 | 1719939 | 22 | 2 | 1720424 | 10 | 23 | 1721258 | 38 | 19 | 1919326 | 6 | 30 |
| 1718121 | 10 | 72 | 1719940 | 16 | 23 | 1720425 | 10 | 31 | 1721425 | 40 | 25 | 1919326 | 6 | 41 |
| 1718122 | 10 | 73 | 1719965 | 40 | 7 | 1720426 | 10 | 34 | 1721425 | 42 | 25 | 1919326 | 8 | 3 |
| 1718219 | 16 | 8 | 1719965 | 42 | 7 | 1720439 | 10 | 57 | 1721446 | 6 | 13 | 1919326 | 14 | 22 |
| 1718508 | 30 | 4 | 1719966 | 2 | 5 | 1720440 | 10 | 58 | 1721533 | 40 | 1 | 1919326 | 44 | 31 |
| 1718508 | 32 | 4 | 1719972 | 2 | 24 | 1720441 | 10 | 60 | 1721533 | 42 | 1 | 1919326 | 46 | 30 |

Part Number Index by Page Number

| Part No. | Page No | Ref No. | Part No. | Page No | Ref No. | Part No. | Page No | Ref No. | Part No. | Page No | Ref No. | Part No. | Page No | Ref No. |
|----------|---------|---------|----------|---------|---------|----------|---------|---------|----------|---------|---------|----------|---------|---------|
| 1919381 | 8 | 18 | 1924940 | 20 | 5 | 1935255 | 6 | 36 | 1960624 | 6 | 4 | | | |
| 1919381 | 16 | 5 | 1924940 | 40 | 5 | 1936228 | 6 | 29 | 41686784 | 34 | 25 | | | |
| 1919381 | 22 | 7 | 1924940 | 42 | 5 | 1936723 | 34 | 1 | 41686784 | 36 | 25 | | | |
| 1919381 | 46 | 31 | 1924940 | 44 | 16 | 1936723 | 36 | 1 | 41686784 | 38 | 25 | | | |
| 1919438 | 4 | 17 | 1924940 | 46 | 16 | 1960020 | 4 | 29 | 41703240 | 18 | 1 | | | |
| 1919438 | 8 | 41 | 1925003 | 18 | 12 | 1960020 | 14 | 30 | 41704878 | 18 | 34 | | | |
| 1919438 | 14 | 15 | 1925003 | 20 | 32 | 1960027 | 16 | 20 | 41704879 | 18 | 22 | | | |
| 1919438 | 16 | 6 | 1925003 | 24 | 10 | 1960043 | 2 | 18 | 41719679 | 20 | 29 | | | |
| 1919438 | 20 | 18 | 1926149 | 44 | 9 | 1960044 | 14 | 14 | | | | | | |
| 1919439 | 20 | 6 | 1926149 | 46 | 9 | 1960070 | 14 | 20 | | | | | | |
| 1919439 | 40 | 3 | 1927428 | 18 | 11 | 1960074 | 2 | 16 | | | | | | |
| 1919439 | 42 | 3 | 1927557 | 2 | 15 | 1960074 | 44 | 8 | | | | | | |
| 1920263 | 26 | 16 | 1928352 | 4 | 10 | 1960074 | 46 | 8 | | | | | | |
| 1920283 | 22 | 3 | 1928352 | 14 | 23 | 1960093 | 44 | 1 | | | | | | |
| 1920397 | 18 | 16 | 1928352 | 20 | 10 | 1960093 | 46 | 1 | | | | | | |
| 1921210 | 8 | 7 | 1928352 | 40 | 17 | 1960096 | 18 | 24 | | | | | | |
| 1921221 | 4 | 13 | 1928352 | 42 | 17 | 1960096 | 34 | 30 | | | | | | |
| 1921319 | 18 | 19 | 1928721 | 4 | 34 | 1960096 | 36 | 30 | | | | | | |
| 1921319 | 20 | 27 | 1928721 | 4 | 35 | 1960096 | 38 | 30 | | | | | | |
| 1921319 | 24 | 9 | 1928957 | 40 | 9 | 1960114 | 4 | 6 | | | | | | |
| 1921332 | 22 | 5 | 1930584 | 38 | 1 | 1960136 | 14 | 9 | | | | | | |
| 1921333 | 6 | 39 | 1930585 | 34 | 10 | 1960160 | 28 | 1 | | | | | | |
| 1921719 | 8 | 33 | 1930585 | 36 | 10 | 1960170 | 44 | 27 | | | | | | |
| 1921968 | 4 | 15 | 1930594 | 18 | 42 | 1960170 | 46 | 26 | | | | | | |
| 1921968 | 4 | 26 | 1930598 | 6 | 20 | 1960223 | 8 | 15 | | | | | | |
| 1921969 | 40 | 18 | 1930601 | 2 | 13 | 1960223 | 16 | 1 | | | | | | |
| 1921969 | 42 | 18 | 1930601 | 18 | 33 | 1960270 | 2 | 29 | | | | | | |
| 1921971 | 14 | 27 | 1930601 | 20 | 34 | 1960295 | 6 | 2 | | | | | | |
| 1921971 | 40 | 14 | 1930601 | 40 | 29 | 1960295 | 18 | 13 | | | | | | |
| 1921971 | 42 | 14 | 1930601 | 42 | 29 | 1960339 | 14 | 36 | | | | | | |
| 1922127 | 8 | 13 | 1930644 | 44 | 11 | 1960353 | 8 | 22 | | | | | | |
| 1922606 | 44 | 47 | 1930644 | 46 | 11 | 1960368 | 6 | 34 | | | | | | |
| 1922606 | 46 | 46 | 1930645 | 4 | 20 | 1960368 | 18 | 5 | | | | | | |
| 1922611 | 14 | 35 | 1930810 | 8 | 29 | 1960369 | 26 | 31 | | | | | | |
| 1922694 | 8 | 35 | 1931277 | 2 | 27 | 1960370 | 6 | 24 | | | | | | |
| 1922694 | 40 | 32 | 1931335 | 8 | 45 | 1960373 | 2 | 4 | | | | | | |
| 1922694 | 42 | 32 | 1931335 | 22 | 12 | 1960373 | 4 | 33 | | | | | | |
| 1922694 | 44 | 44 | 1931337 | 14 | 11 | 1960373 | 18 | 30 | | | | | | |
| 1922755 | 4 | 19 | 1931339 | 20 | 3 | 1960373 | 36 | 22 | | | | | | |
| 1922755 | 14 | 34 | 1931339 | 20 | 40 | 1960373 | 38 | 22 | | | | | | |
| 1922755 | 40 | 10 | 1931342 | 6 | 32 | 1960373 | 44 | 32 | | | | | | |
| 1922755 | 42 | 10 | 1931350 | 2 | 25 | 1960404 | 34 | 28 | | | | | | |
| 1923325 | 8 | 2 | 1931350 | 4 | 8 | 1960404 | 36 | 28 | | | | | | |
| 1923360 | 16 | 13 | 1931350 | 20 | 9 | 1960404 | 38 | 28 | | | | | | |
| 1923362 | 14 | 37 | 1931352 | 8 | 8 | 1960459 | 20 | 30 | | | | | | |
| 1923500 | 44 | 20 | 1931352 | 44 | 23 | 1960519 | 40 | 24 | | | | | | |
| 1923701 | 40 | 30 | 1931352 | 46 | 22 | 1960519 | 42 | 24 | | | | | | |
| 1923701 | 42 | 30 | 1931353 | 14 | 33 | 1960520 | 44 | 43 | | | | | | |
| 1924356 | 16 | 2 | 1931648 | 20 | 11 | 1960520 | 46 | 42 | | | | | | |
| 1924361 | 44 | 41 | 1933263 | 34 | 2 | 1960529 | 4 | 7 | | | | | | |
| 1924361 | 46 | 40 | 1933263 | 36 | 2 | 1960536 | 6 | 14 | | | | | | |
| 1924366 | 44 | 21 | 1933263 | 38 | 2 | 1960536 | 26 | 4 | | | | | | |
| 1924366 | 46 | 20 | 1933263 | 42 | 33 | 1960540 | 4 | 2 | | | | | | |
| 1924856 | 34 | 27 | 1933896 | 18 | 23 | 1960547 | 26 | 7 | | | | | | |
| 1924856 | 36 | 27 | 1933896 | 34 | 29 | 1960590 | 2 | 11 | | | | | | |
| 1924856 | 38 | 27 | 1933896 | 36 | 29 | 1960590 | 8 | 31 | | | | | | |
| 1924874 | 8 | 40 | 1933896 | 38 | 29 | 1960613 | 8 | 20 | | | | | | |
| 1924940 | 6 | 19 | 1935041 | 2 | 22 | 1960614 | 42 | 9 | | | | | | |
| 1924940 | 8 | 11 | 1935048 | 8 | 5 | 1960615 | 40 | 11 | | | | | | |
| 1924940 | 14 | 24 | 1935048 | 8 | 14 | 1960615 | 42 | 11 | | | | | | |

Hardware Identification & Torque Specifications

Common Hardware Types

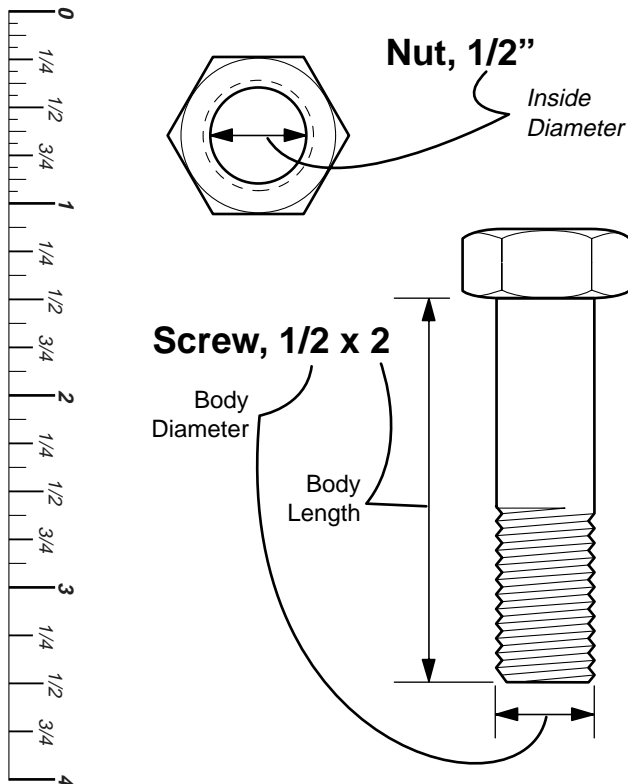


Standard Hardware Sizing

When a washer or nut is identified as **1/2"**, this is the *Nominal size*, meaning the *inside diameter* is 1/2 inch; if a second number is present it represent the *threads per inch*

When bolt or capscrew is identified as **1/2 - 16 x 2"**, this means the *Nominal size*, or *body diameter* is 1/2 inch; the second number represents the *threads per inch* (16 in this example, and the final number is the *body length* of the bolt or screw (in this example 2 inches long).

The guides and ruler furnished below are designed to help you select the appropriate hardware and tools.



Torque Specification Chart

FOR STANDARD MACHINE HARDWARE (Tolerance $\pm 20\%$)

| Hardware Grade | No Marks | | SAE Grade 2 | | SAE Grade 5 | | SAE Grade 8 | |
|----------------|---------------|-------|---------------|-------|---------------|---------|---------------|-----|
| | in/lbs ft/lbs | Nm. | in/lbs ft/lbs | Nm. | in/lbs ft/lbs | Nm. | in/lbs ft/lbs | Nm. |
| 8-32 | 19 | 2.1 | 30 | 3.4 | 41 | 4.6 | | |
| 8-36 | 20 | 2.3 | 31 | 3.5 | 43 | 4.9 | | |
| 10-24 | 27 | 3.1 | 43 | 4.9 | 60 | 6.8 | | |
| 10-32 | 31 | 3.5 | 49 | 5.5 | 68 | 7.7 | | |
| 1/4-20 | 66 | 7.6 | 8 | 10.9 | 12 | 16.3 | | |
| 1/4-28 | 76 | 8.6 | 10 | 13.6 | 14 | 19.0 | | |
| 5/16-18 | 11 | 15.0 | 17 | 23.1 | 25 | 34.0 | | |
| 5/16-24 | 12 | 16.3 | 19 | 25.8 | 27 | 34.0 | | |
| 3/8-16 | 20 | 27.2 | 30 | 40.8 | 45 | 61.2 | | |
| 3/8-24 | 23 | 31.3 | 35 | 47.6 | 50 | 68.0 | | |
| 7/16-14 | 30 | 40.8 | 50 | 68.0 | 70 | 95.2 | | |
| 7/16-20 | 35 | 47.6 | 55 | 74.8 | 80 | 108.8 | | |
| 1/2-13 | 50 | 68.0 | 75 | 102.0 | 110 | 149.6 | | |
| 1/2-20 | 55 | 74.8 | 90 | 122.4 | 120 | 163.2 | | |
| 9/16-12 | 65 | 88.4 | 110 | 149.6 | 150 | 204.0 | | |
| 9/16-18 | 75 | 102.0 | 120 | 163.2 | 170 | 231.2 | | |
| 5/8-11 | 90 | 122.4 | 150 | 204.0 | 220 | 299.2 | | |
| 5/8-18 | 100 | 136 | 180 | 244.8 | 240 | 326.4 | | |
| 3/4-10 | 160 | 217.6 | 260 | 353.6 | 386 | 525.0 | | |
| 3/4-16 | 180 | 244.8 | 300 | 408.0 | 420 | 571.2 | | |
| 7/8-9 | 140 | 190.4 | 400 | 544.0 | 600 | 816.0 | | |
| 7/8-14 | 155 | 210.8 | 440 | 598.4 | 660 | 897.6 | | |
| 1-8 | 220 | 299.2 | 580 | 788.8 | 900 | 1,244.0 | | |
| 1-12 | 240 | 326.4 | 640 | 870.4 | 1,000 | 1,360.0 | | |

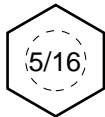
NOTES

- These torque values are to be used for all hardware excluding: locknuts, self-tapping screws, thread forming screws, sheet metal screws and socket head setscrews.
- Recommended seating torque values for locknuts:
 - for prevailing torque locknuts - use 65% of grade 5 torques.
 - for flange whizlock nuts and screws - use 135% of grade 5 torques.
- Unless otherwise noted on assembly drawings, all torque values must meet this specification.

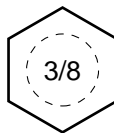
Wrench & Fastener Size Guide



1/4" Bolt or Nut
Wrench—7/16"



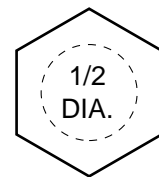
5/16" Bolt or Nut
Wrench—1/2"



3/8" Bolt or Nut
Wrench—9/16"



7/16" Bolt or Nut
Wrench (Bolt)—5/8"
Wrench (Nut)—11/16"



1/2" Bolt or Nut
Wrench—3/4"